

| SPECIFICATION JCP3/XYZ/SC/1KO/C/ | | DATE 4.1.84. | |
|---|---|-----------------|----------|
| CUSTOMER GENERAL | | | |
| SPECIFICATION No. D. 23067 | | REVISION 5 | |
| TITLE PAGE AND REVISION RECORD | | PAGE 1. | |
| TECHNICAL SPECIFICATION | | PAGE 2. | |
| DIAGRAMS (1) DIMENSIONS | | PAGE 3. | |
| (2) WIRING | | PAGE 4 | |
| <p><i>DISCONTINUED</i> <i>16/8/95</i></p> | | | |
| RECORD OF REVISIONS | | | |
| REVISION | CHANGES | CHECKED | DATE |
| 1 | New Issue | <i>MR Reese</i> | 4.1.84 |
| 2 | Note: added Page 2. CN.12287 | <i>MR Reese</i> | 4.12.84 |
| 3 | Re-drawn. Updated to current build standard | <i>MR Reese</i> | 16.4.85 |
| 4 | Internal wire routing changed to enhance the life characteristics of the Joysticks C/N 12436 | <i>MR Reese</i> | 18.10.85 |
| 5 | The inclusion of an internal arm against which the cable is run. This simplifies the procedure for the assembly operator. C/N 12453 | <i>MR Reese</i> | 11.11.85 |
| | | | |
| | | | |
| | | | |
| | | | |
| | | | |

Directors
 A. J. ...
 W. A. ...
 Company Secretary

TECHNICAL SPECIFICATION

Resistance 1K Ohms \pm 20 %
Track Linearity \pm 1 % Independent

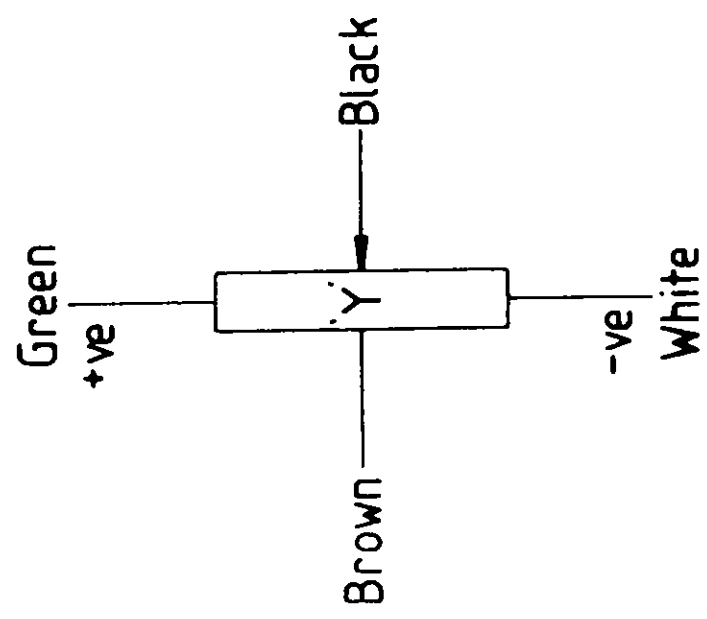
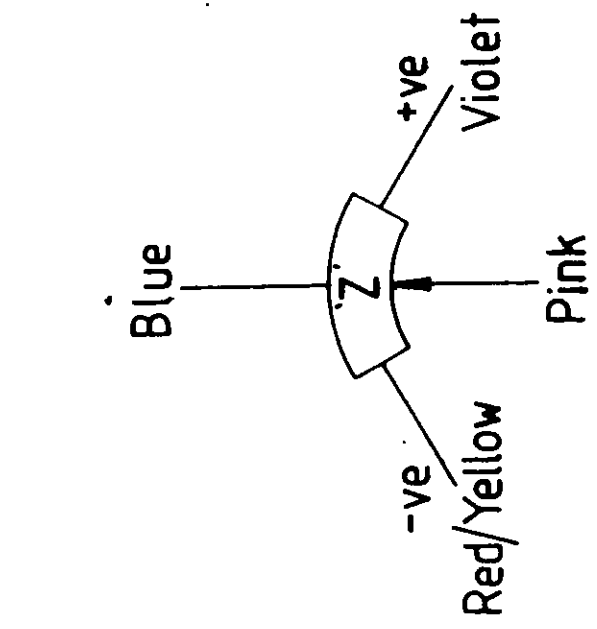
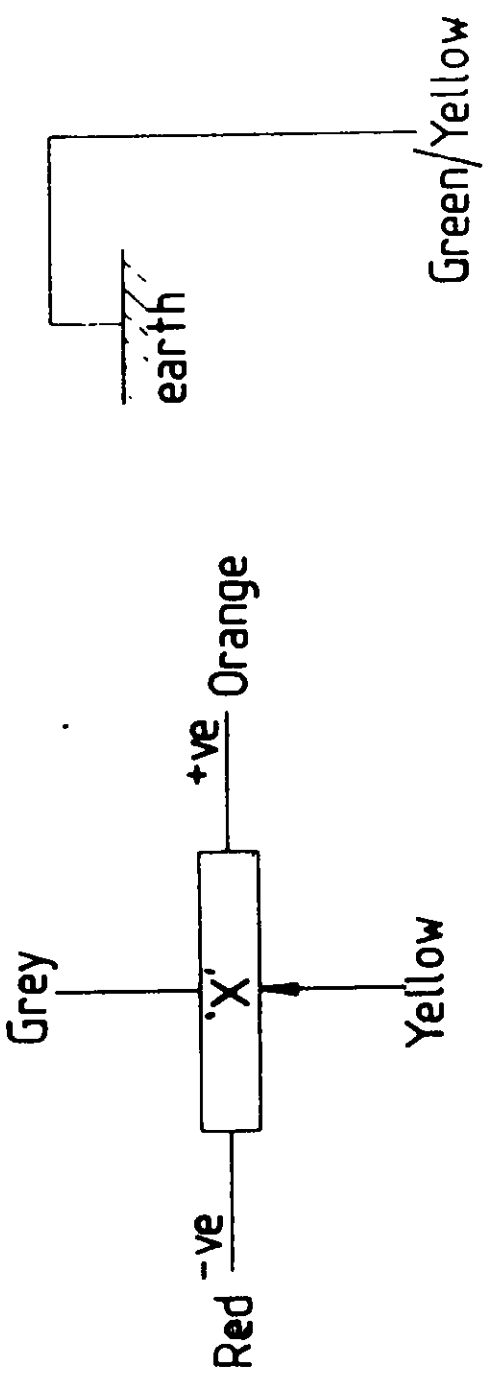
TRACK ANGLES

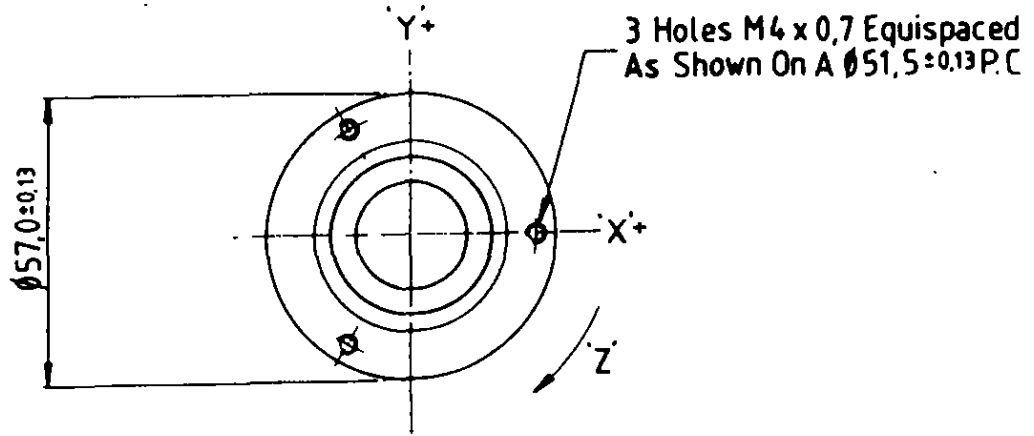
Electrical 'X' \pm 10°
" 'Y' \pm 10°
" 'Z' \pm 26.5°
Mechanical 'X' \pm 10° To \pm 11°
" 'Y' \pm 10° To \pm 11°
" 'Z' \pm 29° To \pm 30°

Power Dissipation at 20°C 0.5 Watts each track
Insulation Resistance at 500V dc Greater than 50 M ohms
Self-Centre within Centre Tap width
Current Centre Tap Width 1° Nominal
Breakout Force XY 270/300 gms.
Maximum Displacement Force XY 450/500 gms.
Breakout Torque Z 900/1000 gm. cm.
Maximum Displacement Torque Z 1800/ 2000 gm. cm.
Weight (Less handle) 220 Grams

PERFORMANCE SPECIFICATION

Operational Temperature Range - 20°C To + 90°C
Water and Dust Ingress To BS5490 IP65
Vibration and Acceleration Typically 10 to 1000 Hz
at 5G to BS.3C.100
Maximum Operating Torque Z Axis 20 Kg cm





Note!
All Dimensions In m.m

LABELLING INSTRUCTIONS

unit to be marked:
Penny & Giles ref: D.23067
Serial No. 1SS.5.

