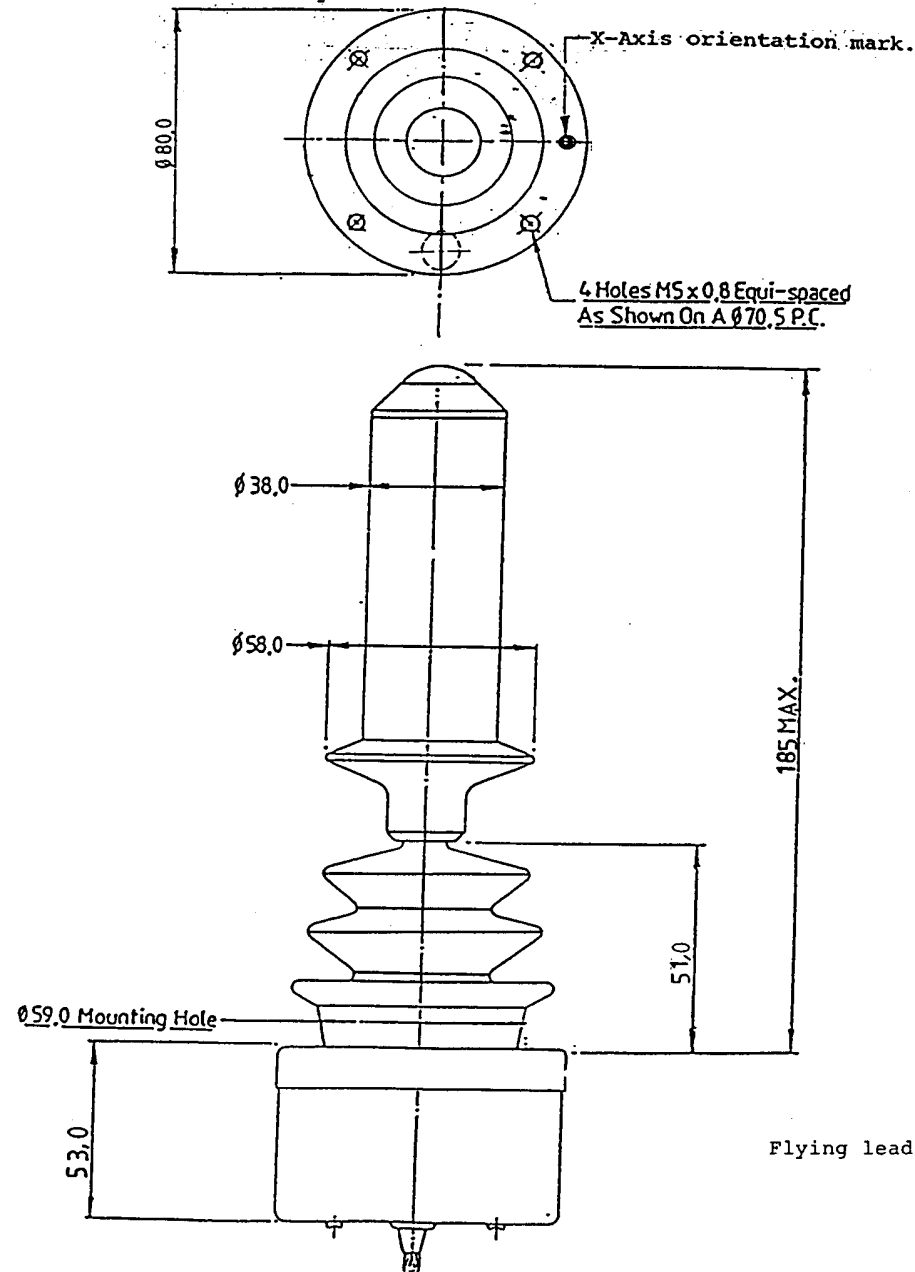


TABULATED DATA:MECHANICAL
3.1 Installation diagram

NOTE: all dimensions in mm



4 Holes MS x 0.8 Equi-spaced
 As Shown On A Ø70.5 P.C.

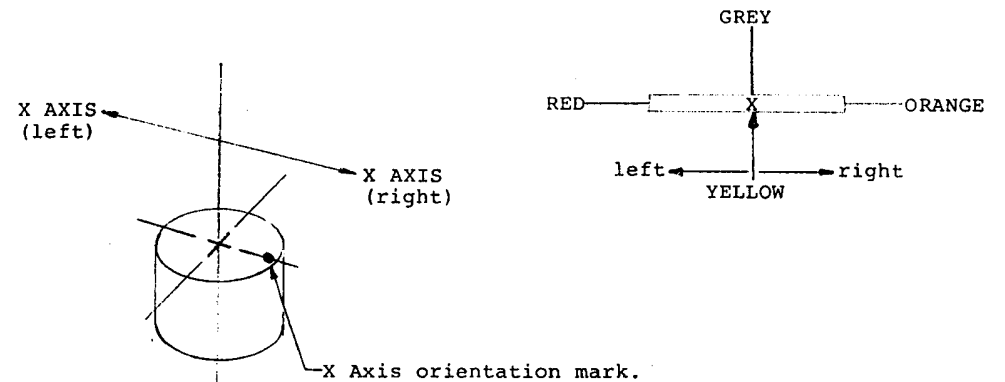
TABULATED DATA:ELECTRICAL

2.1 Track Details

RESISTANCE	5K ohms +/-20%
LINEARITY (IND)	+/- 1.0 %
ELECTRICAL ANGLE 'X'	+/-27.6deg.nominal
POWER DISSIPATION @ 20deg.C	0.5 watts each track
INSULATION RESISTANCE AT 500V d.c.	Greater than 50M ohms
MAXIMUM WIPER CURRENT	10 mA
MAXIMUM PERMISSIBLE OPERATING VOLTS	50V dc.
SELF CENTRES WITHIN TAP WIDTH	
CENTRE TAP WIDTH 1deg. NOMINAL	

Circuit Diagram

NOTE:X output achieved with the joystick positioned as shown.



Flying leads 6 off 7/0.125 x 300mm long

Penny+Giles Electronic Components		
Date:6/9-93	JCP4-X-SC	D240172