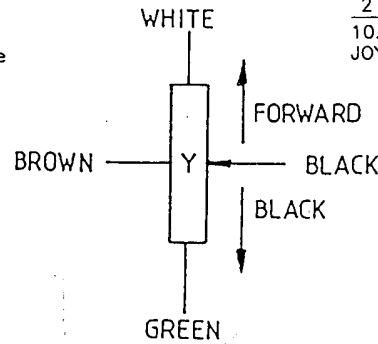


NOTE It is a characteristic of this type of conductive plastic potentiometer that contact resistance between wiper and resistive element may vary between 100 ohms and 10K ohms during life. Hence this device must be used only as a voltage divider and the wiper connected to an input impedance of not less than 10 mega ohms.

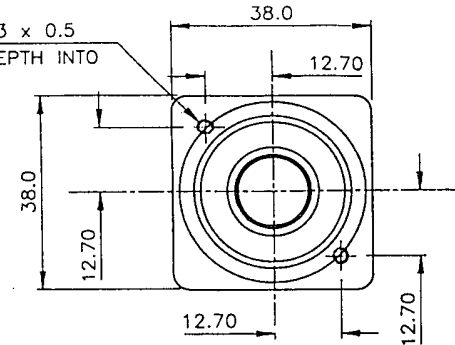
TABULATED DATA ELECTRICAL

2.1 Track Details

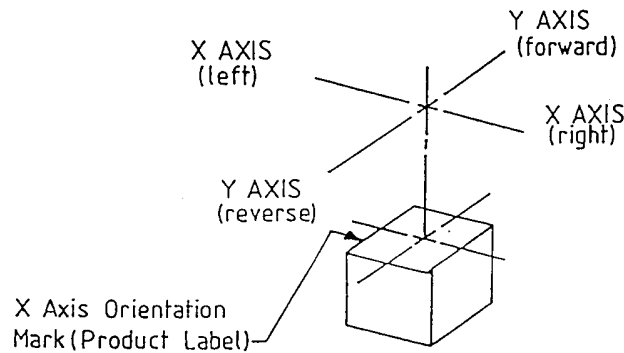
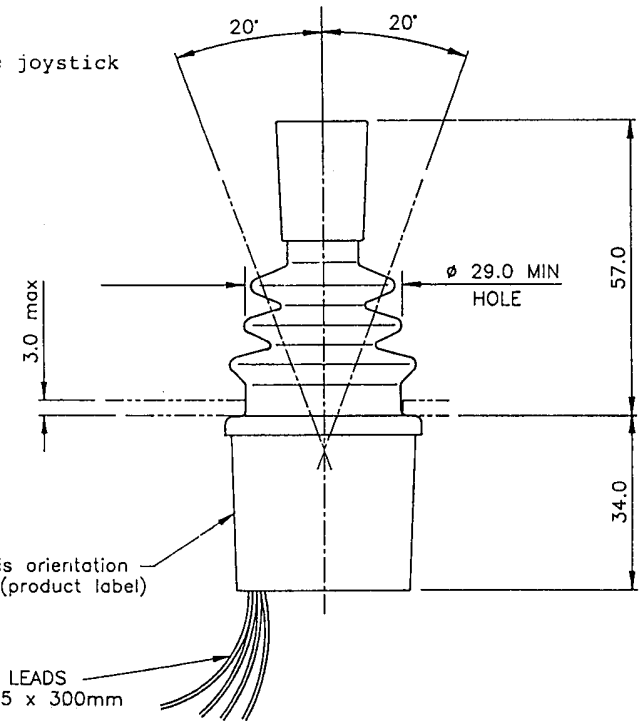
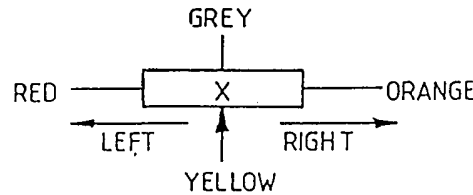
RESISTANCE	5K ohms +/-20%
ELECTRICAL ANGLE X	+/-18deg.nominal
ELECTRICAL ANGLE Y	+/-18deg.nominal
POWER DISSIPATION @ 20deg.C	0.5 watts each track
INSULATION RESISTANCE AT 500V d.c.	Greater than 50M ohms
MAXIMUM WIPER CURRENT	10 mA
CENTRE CURRENT TAP FITTED TO EACH AXIS	
CURRENT TAP WIDTH	+/-1.6 deg max
SELF-CENTRE WITHIN CENTRE TAP WIDTH	



2 FIXING HOLES M3 x 0.5
10.0 MAX SCREW DEPTH INTO
JOYSTICK



NOTE XY output achieved with the joystick positioned as shown.



Flying Leads 7/0.125 x 300mm Long

Penny+Giles Electronic Components		
Date:6/9-93	JCP2-XY-S	D240448