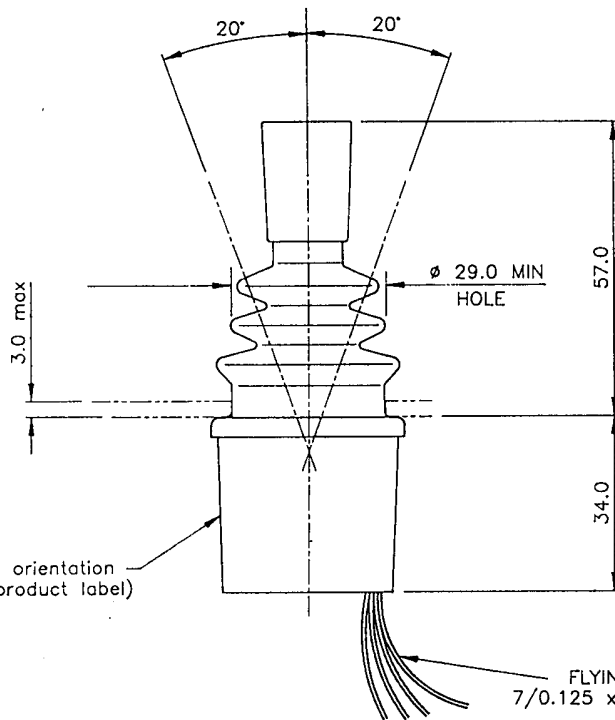
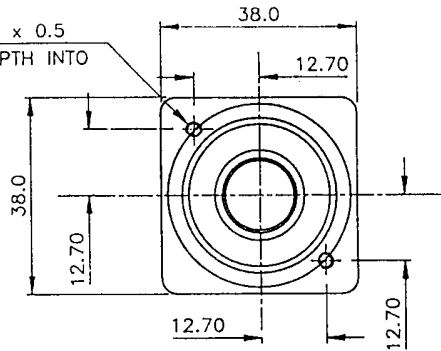


3. TABULATED DATA: MECHANICAL

3.1 Installation Diagram

All dimensions in mm

2 FIXING HOLES M3 x 0.5
10.0 MAX SCREW DEPTH INTO
JOYSTICK

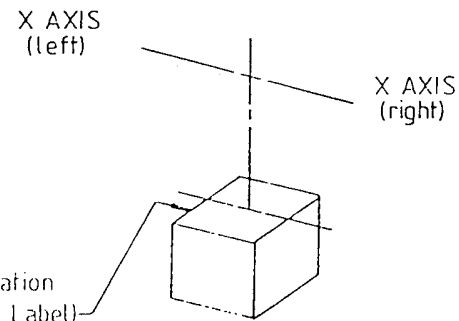


NOTE: It is a characteristic of this type of conductive plastic potentiometer that contact resistance between wiper and resistive element may vary between 100 ohms and 10 K ohms during life. Hence this device must be used only as a voltage divider and the wiper connected to an input impedance of not less than 10 mega ohms.

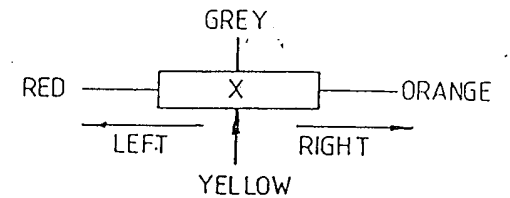
2. TABULATED DATA: ELECTRICAL

2.1 Track Details

Resistance	5K Ω \pm 20 %
Electrical Angle X	\pm 18° nominal
Power Dissipation @ 20 °C	0.5 watts each track
Insulation Resistance @ 500V d.c.	Greater than 50M Ω
Maximum Wiper Current	10 mA
Centre current tap fitted to 'X' axis	
Self-centre within centre tap width	



Flying Leads 7/0.125 x 300mm Long



Penny+Giles Electronic Components		
Date:6/9-93	JCP2-X-S-T	D240449