

w/o 5721

P. & G. Inter.

Q 5642
USED ON

P & G
INTER.

L28312
(61/branch)
Ver. 40.11.8

C.C.
Q.C.
SALES

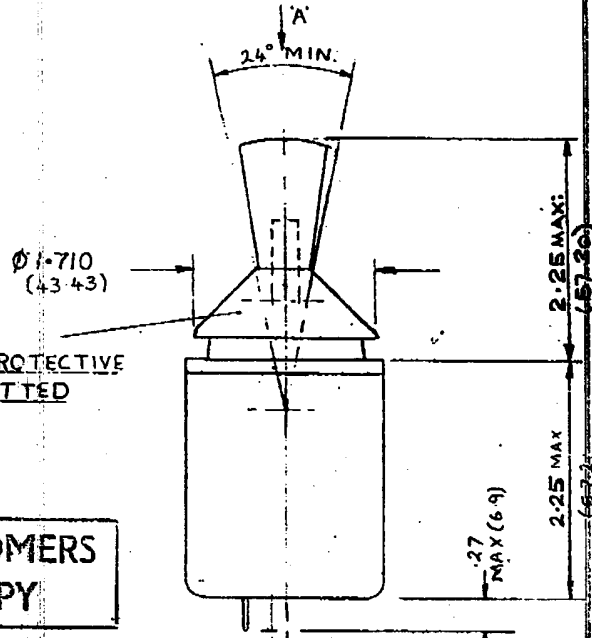
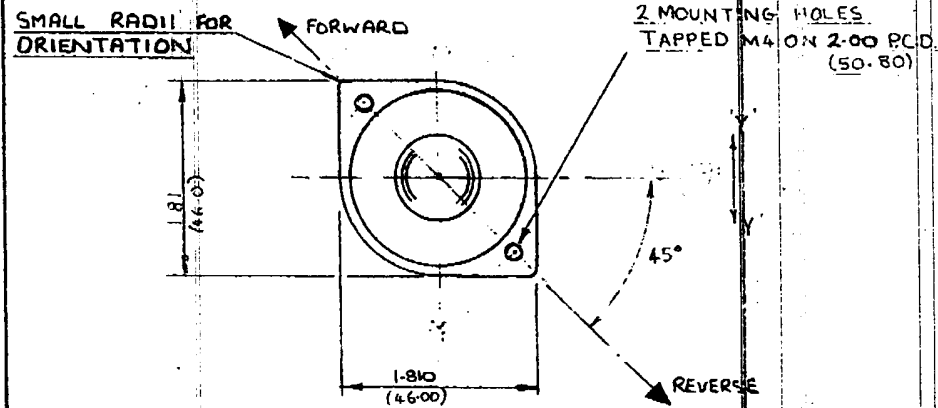
US ON
D.I.S.

DO REF
P29023
02-24
P29079
P29080
P29081

REF:
D15476
D15650

DRAWING NUMBER
D 40118

THIRD ANGLE PROJECTION



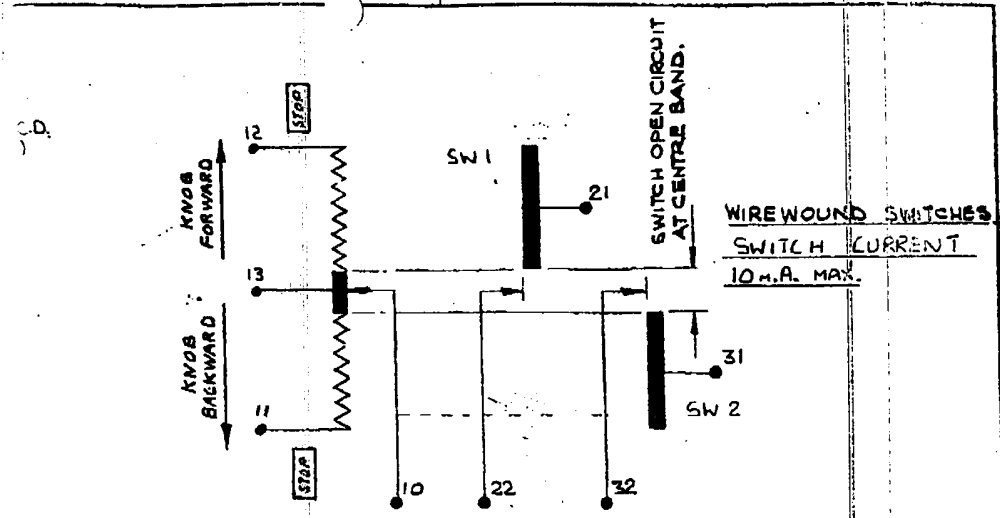
CUSTOMERS COPY

ISSUE	DATE	AMENDMENTS	ISSUE	DATE	AMENDMENTS
1A	17-7-80	ENH/6600 2.250MM MAX WAS 2.10			
1	27-6-80	NEW DRG (enl/6600)			

SIZE B

MATERIAL :-	
TOLERANCES UNLESS STATED :-	±.01
PROTECTIVE FINISH :-	

2.10 (53.3)



WIRING DIAGRAM VIEWED ON ARROW A'

SPECIFICATION	
RESISTANCE	± 10%
POWER DISSIPATION	0.5W AT 20°C
CENTRE TAP WIDTH	6% TO 8% OF TRAVEL
CENTRE TAP POSITION	50% APPLIED V ± 3%
INSULATION	> 50 MΩ AT 500 V d.c.
TEMPERATURE RANGE	-20°C TO +70°C
STICK FORCE	300gm FOR FULL SCALE DEFLECTION

JOYSTICK WILL SELF CENTRE SUCH THAT THE VOLTAGE BETWEEN THE WIPER AND CENTRE TAP IS LESS THAN 0.5% V APPLIED.

SCALE: FULL SIZE	PENNY & GILES, LTD CHRISTCHURCH, DORSET.
DIMENSIONS IN: TNS (MM)	
UNLESS OTHERWISE STATED: ±.01 (-.25)	TITLE
FINISH :-	JOYSTICK CONTROLLER JS.1.
	DRAWING NUMBER
	D 40118