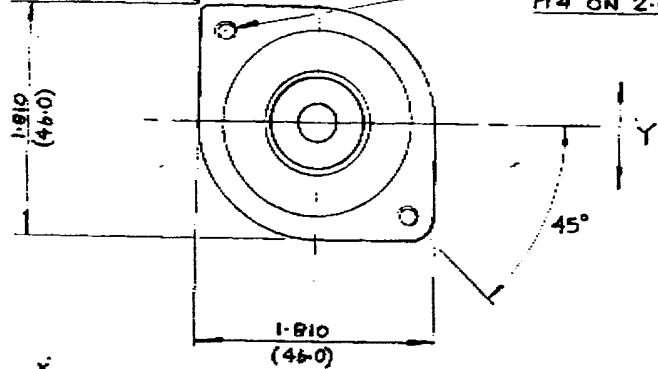


D42667

USED ON  
WE 6230

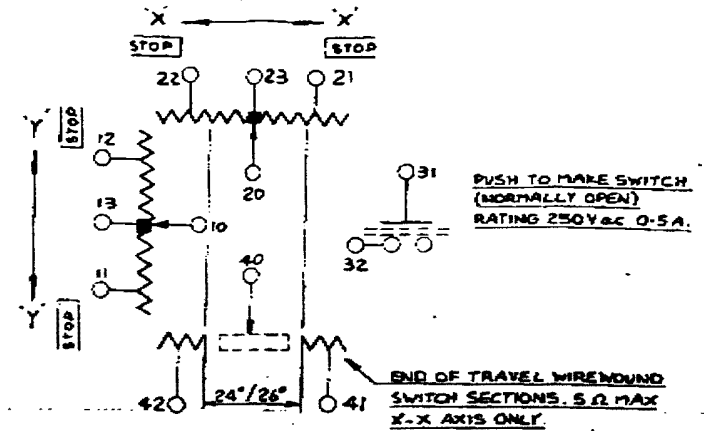
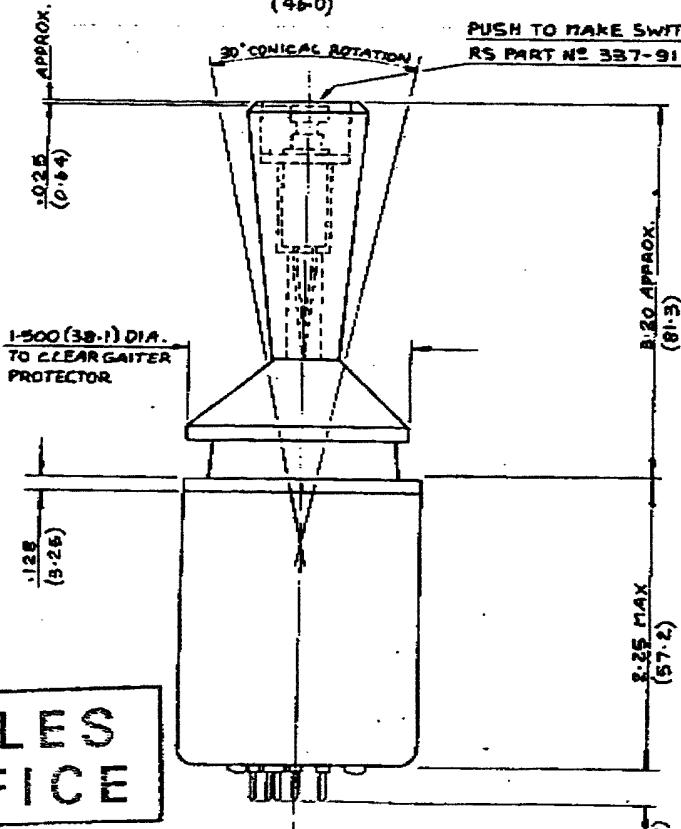
SMALL RADIUS  
FOR ORIENTATION

2 MOUNTING HOLES  
M4 ON 2.000 (50.80) PCD



PUSH TO MAKE SWITCH  
RS PART NO 337-914

30° CONICAL ROTATION



WIRING DIAGRAM  
VIEWED ON ARROW 'A'

SPECIFICATIONS

- RESISTANCE \_\_\_\_\_ 2 KΩ ± 10% (EACH AXIS)
- POWER DISSIPATION \_\_\_\_\_ 0.5 WATT @ 20°C (EACH AXIS)
- CENTRE TAP WIDTH \_\_\_\_\_ 6% TO 8% OF TRAVEL
- CENTRE TAP POSITION \_\_\_\_\_ 50% OF APPLIED VOLTS ± 3%
- INSULATION \_\_\_\_\_ > 50 MΩ AT 500 V<sub>d.c.</sub>
- TEMPERATURE RANGE \_\_\_\_\_ -20°C TO +70°C
- STICK FORCE \_\_\_\_\_ 300<sub>m</sub> FOR FULL SCALE DEFLECTION

NOTE  
JOYSTICK WILL SELF CENTRE SUCH THAT THE VOLTAGE BETWEEN WIPER AND CENTRE TAP IS LESS THAN 0.5% OF APPLIED VOLTS.

Data Sheet  
third angle projection

SIZE  
A3

8 MASTER  
OM  
12666  
J REFS  
H790

PROVED

B.C.  
EOKED  
B.C.

RWN

J.C.H

DESIGN COPYRIGHT RESERVED

**SALES  
OFFICE**

*Penny + Giles Potentiometers Ltd.*

ISSUE	1	1A			MATERIAL :-	FINISH :-
DATE	26-9-86	7-10-86			BODY- ALUM. ALLOY	BODY- ANODISED
CHANGE						
TITLE	JS2 WITH SWITCH IN HANDLE AND END OF TRAVEL SWITCHES (X-X AXIS)			TOLERANCES:	SCALE:	DRAWING NUMBER
				±.010 (-25)	FULL SIZE	D42667
					DIMS: INCHES (mm)	