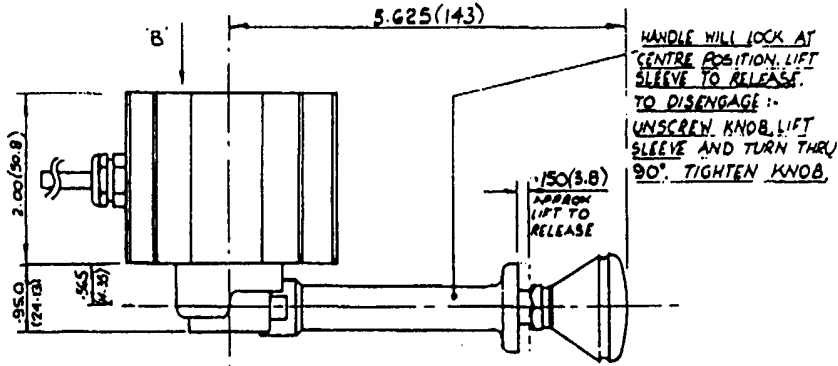


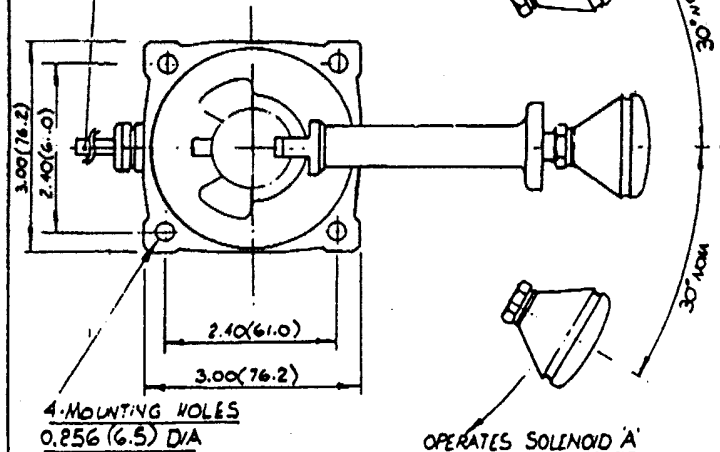
NDS DENISON

DRAWING NUMBER  
D43094

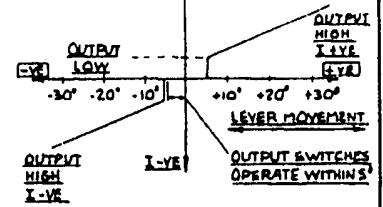
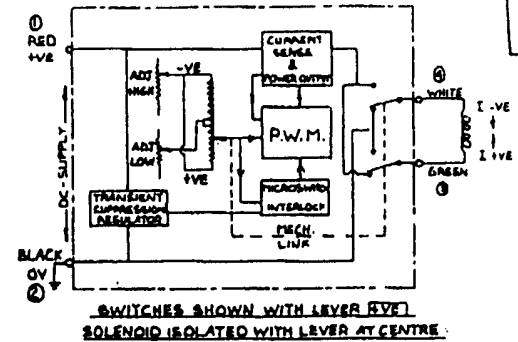
THIRD ANGLE PROJECTION



1/2 METRE LONG PVC SHEATHED CABLE SEALED WITH WATERPROOF GLAND. 4 CORE 20AWG PVC INSULATED 19/22



SALES OFFICE



CONNECTION DETAILS

RED (PIN 1) +VE DC SUPPLY

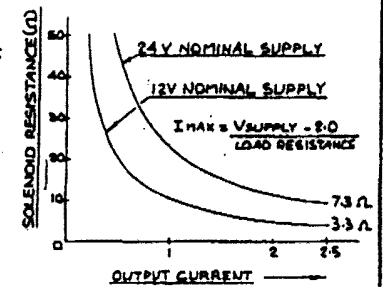
BLACK (PIN 2) 0V DC SUPPLY

GREEN (PIN 3) SOLENOID -VE

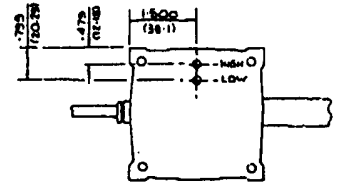
WHITE (PIN 4) SOLENOID +VE

SPECIFICATION DATA

- SUPPLY VOLTAGE 11 TO 30V d.c.
- OUTPUT TYPE CONSTANT CURRENT PULSE WIDTH MODULATION
- MODULATION FREQUENCY 3000 HZ NOMINAL
- RESISTANCE TO SUPPLY RIPPLE +10%
- QUALITY TRANSIENTS 260V 5μ SEC.
- POLARITY REVERSAL INDEFINITE
- OPERATING TEMPERATURE RANGE -40°C TO +85°C
- LIFE EXPECTANCY > 5x10<sup>6</sup> CYCLES
- SEALING IP66
- SOLENOID LOAD RANGE Ω (SEE FIG.1)
- OUTPUT CURRENT HIGH (MAX) 2.50 A
- OUTPUT CURRENT LOW (MIN) 0.01 A
- HIGH OUTPUT ADJUST 0.3 - 2.5A
- LOW OUTPUT ADJUST 0.01 - 1.0A
- LEVER OPERATING FORCE 750gm APPROX



NOTE:- FOR ANY GIVEN LEVER MOVEMENT THE LOAD CURRENT WILL REMAIN CONSTANT, IRRESPECTIVE OF SUPPLY VOLTAGE VARIATIONS OR LOAD RESISTANCE CHANGES.



ISSUE	DATE	AMENDMENTS	ISSUE	DATE	AMENDMENTS
1B	17-12-87	B320/3 LEVER OPERATING FORCE ADJUST VIEW IN DIRECTION OF ARROW B ADDED			
1A	19-11-87	B320/2			
1	20-10-87	C4/B320 NEW DRG			

MATERIAL:-	SCALE:- 3/8 FULL SIZE	PENNY & GILES, LTD. CHRISTCHURCH, HANTS.
TOLERANCES UNLESS OTHERWISE STATED:- ±0.015(0.4)	DIMENSIONS IN - INCHES(MM)	
PROTECTIVE FINISH:-	TITLE	DRAWING NUMBER
	HVC1 AMP/PS/L/D/F	D43094