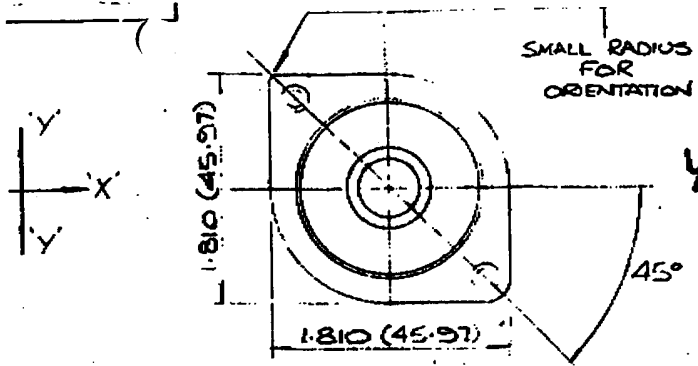


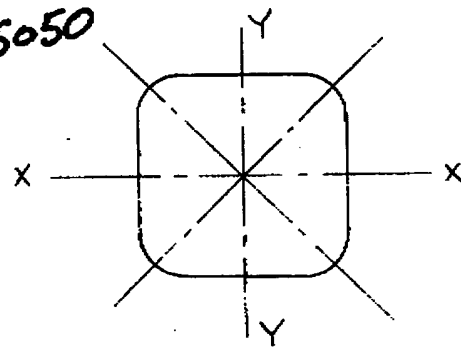
IF IN DOUBT, ASK

43590

Yr. Ref:- L95050



GATE PROFILE

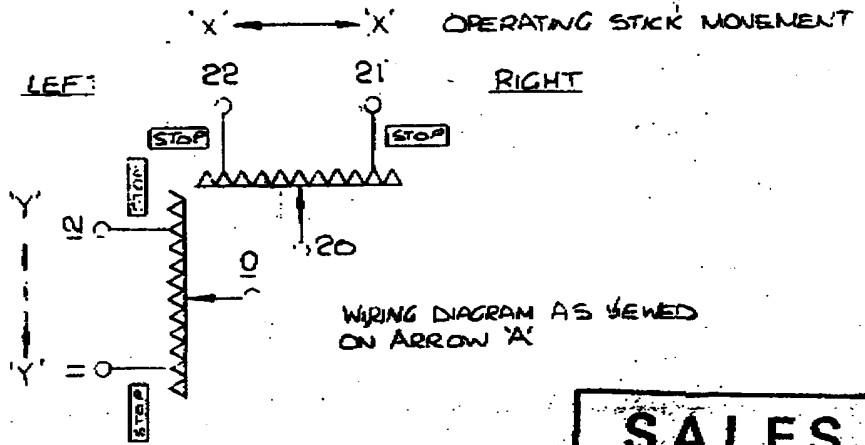
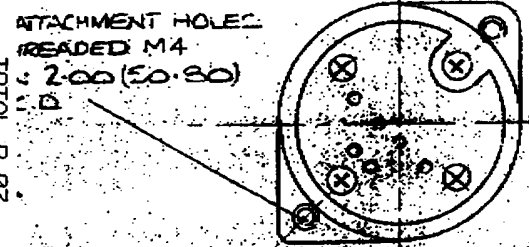
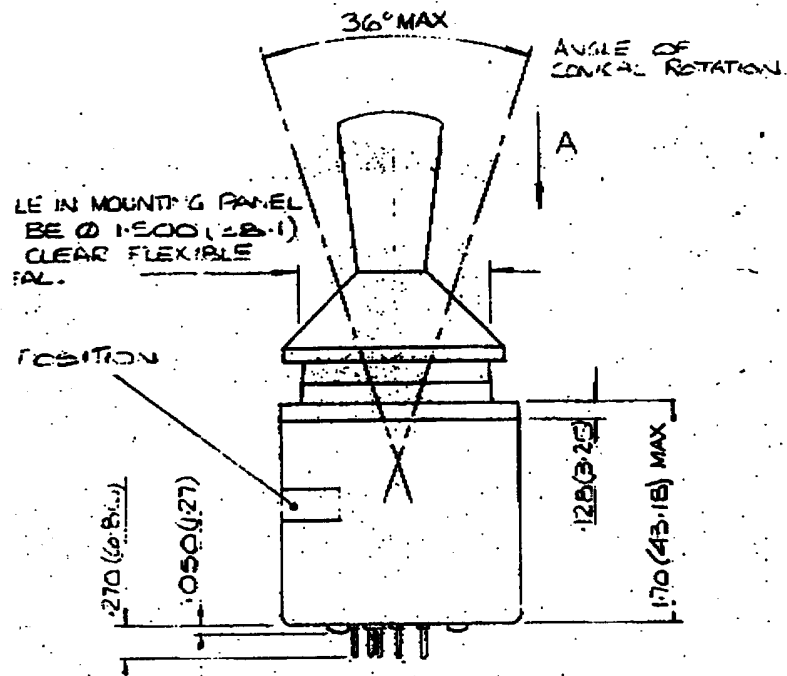


SPECIFICATION DATA

RESISTANCE VALUE AXIS X-Y 2.5KΩ
 RESISTANCE VALUE AXIS Y-Y 2.5KΩ
 RESISTANCE TOLERANCE ±15%
 RESOLUTION VIRTUALLY INFINITE
 INSULATION RESISTANCE >50MΩ @ 25°C
 TEMPERATURE RANGE -70°C TO +75°C
 FORCE REQUIRED AT END OF STICK FOR F.S.D. 300g
 JOYSTICK WILL SELF CENTRE SUCH THAT THE VOLTAGE AT PINS 10 AND 20 IS 50% ± OF APPLIED VOLTS
 MAX CONTACT RESISTANCE 2KΩ
 GATE PROFILE SEE DRAWING

1995-05-18

18:20



SALES OFFICE

90	CH/8571/5	ATTACHMENT HOLES READER: M4: 2.00 (50.80)	MATERIAL	SCALE: FULL SIZE	PENNY & GILES, LTD. CHRISTCHURCH, Dor
90	CH/8571/4	ATTACHMENT HOLES READER: M4: 2.00 (50.80)	TOLERANCES UNLESS OTHERWISE STATED: ±.010 (0.25)	DIMENSIONS IN: INCHES (MM)	
89	CH/8571	ON PRODUCTION		TITLE: SHORT JOYSTICK (MINISTICK)	DRAWING NUMBER: D 175000