

DRAWING NUMBER: D44048

USED ON WE11586 BEATRONIC

DESIGN COPYRIGHT RESERVED:

Data Sheet

THIRD ANGLE PROJECTION



SIZE A3

D.O. REFS.

SUB-MASTER FROM:-

APPROVED

*WJ*

CHECKED

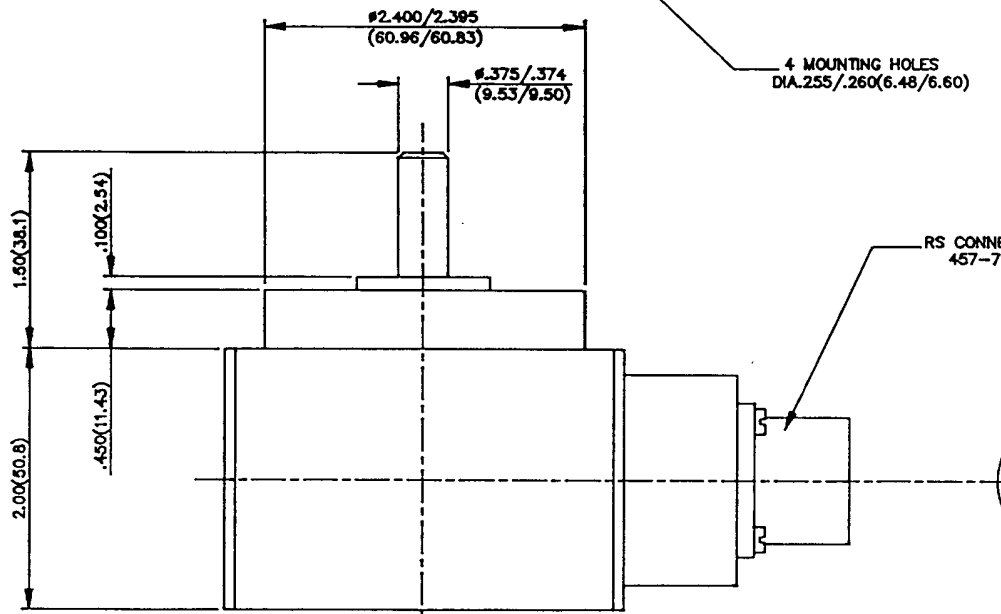
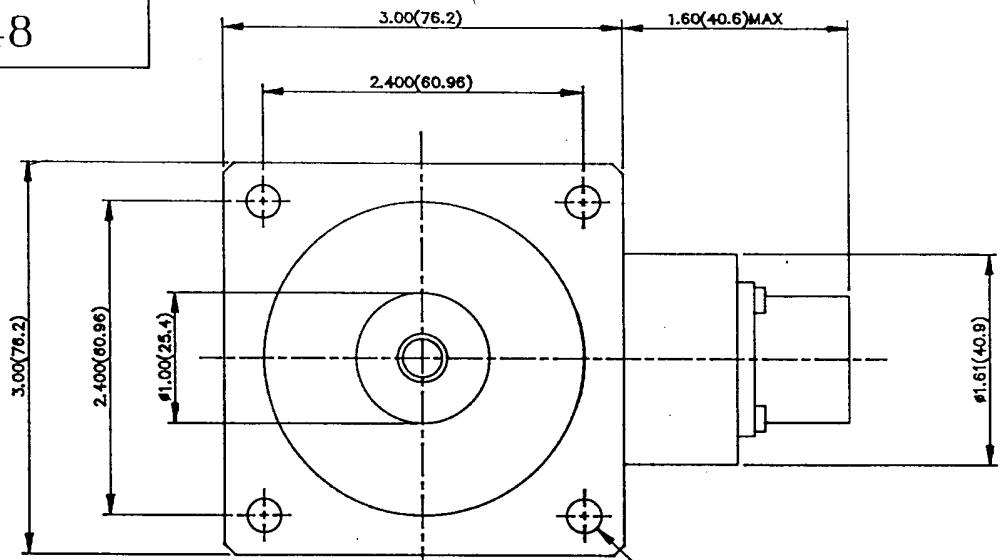
I. HURST

DRAWN

M. BOOTE

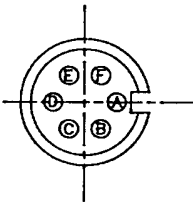
**Penny+Giles**

POSITION SENSORS LIMITED,  
Christchurch,  
Dorset, U.K.



4 MOUNTING HOLES DIA. 255/.260(6.48/6.60)

RS CONNECTOR 457-715

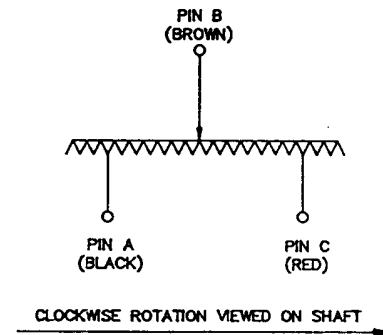


**SPECIFICATION**

RESISTANCE	3.38kΩ
ELECTRICAL ANGLE	60°
INDEPENDENT LINEARITY	±1.2%
RESOLUTION	VIRTUALLY INFINITE
POWER DISSIPATION AT 20°C	0.5 WATTS
OUTPUT SMOOTHNESS (MIL-R-39023 GRADE C)	0.1% MAX
STARTING TORQUE	300gcm MAX
INSULATION RESISTANCE	>50MΩ @ 500Vdc
OPERATING TEMPERATURE RANGE	-20 TO 70°C
MECHANICAL ANGLE	360°
TYPICAL LIFE AT 3Hz OVER ±30°	100 X 10 <sup>6</sup> CYCLES
WEIGHT	1300g APPROX

CUSTOMERS COPY

**ELECTRICAL SCHEMATIC**



ISSUE	1				MATERIAL:—	TOLERANCES	SCALE: 1:1
DATE	11-3-91				BODY:—ZINC ALLOY	±.010	DIMS: INS(mm)
CHANGE	8896/1				SHAFT:— ST STEEL	(.25)	
FINISH:—				TITLE: INDUSTRIAL ANGULAR POSITION SENSOR	DRAWING NUMBER: D44048		
BODY:— ALOCROM							
SHAFT:— CLEAN							