

DRAWING NUMBER:  
**D44736**

USED ON  
THOMSON

**DEVELOPMENT SPECIFICATION**

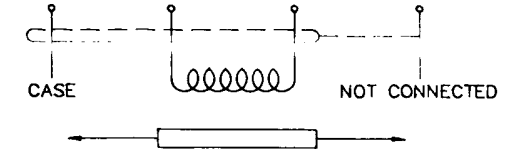
MECHANICAL STROKE LENGTH 'M' \_\_\_\_\_ 1300 mm  
 ELECTRICAL STROKE LENGTH 'E' \_\_\_\_\_ 1250 mm  
 OPERATING TEMPERATURE RANGE \_\_\_\_\_ -20°C TO +85°C  
 TEMPERATURE PERFORMANCE \_\_\_\_\_ TBDppm OF ELECTRICAL STROKE /°C  
 INDEPENDENT LINEARITY \_\_\_\_\_ TBD  
 RESOLUTION \_\_\_\_\_ INFINITE  
 INSULATION RESISTANCE \_\_\_\_\_ YELLOW/BLUE TO CASE > 50MΩ @ 100Vdc  
 \_\_\_\_\_ SCREEN TO CASE > 50MΩ @ 100Vdc  
 \_\_\_\_\_ CASE CONNECTION RESISTANCE GREEN TO CASE < 1Ω  
 OPERATING ROD NATURAL FREQUENCY \_\_\_\_\_ >40 Hz (EXTENDED)

**NOTES**

THESE SPECIFICATIONS APPLY ONLY WHEN THE VRVT IS OPERATED IN CONJUNCTION WITH A PENNY & GILES 'EM' ELECTRONIC MODULE  
 ELECTRONIC MODULES ARE ORDERED SEPARATELY, SEE APPROPRIATE PENNY & GILES DATA SHEET(S)  
 ELECTRONIC MODULE TO BE FACTORY SET BY PENNY+GILES TO GIVE -5V DC RETRACTED +5V DC EXTENDED.

**SCHEMATIC AND CONNECTION DETAILS**

IDENTIFICATION	CASE	COIL +	COIL -	SCREEN
COLOUR	GREEN	YELLOW	BLUE	—



Data Sheet

THIRD ANGLE PROJECTION



SIZE  
**A3**

D.O. REFS.  
D44092

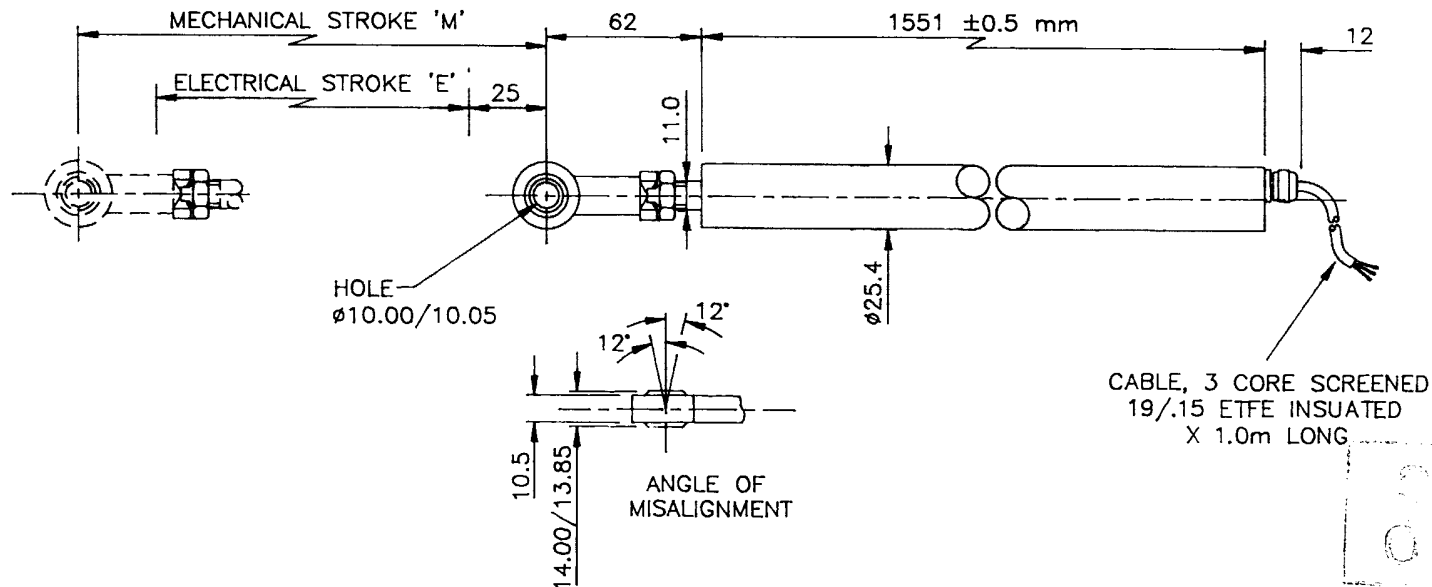
SUB-MASTER FROM:-

APPROVED

*Barley*

CHECKED  
I. HURST

DRAWN  
M. BENTLEY



**Penny+Giles**

POSITION SENSORS LIMITED,  
Christchurch,  
Dorset, U.K.

ISSUE	A	B	1	MATERIAL:—	TOLERANCES	SCALE: 1:1
DATE	19/10/94	16/11/94	28/4/95	CASE - ST STEEL	±.25	DIMS: MM
CHANGE	ND	9541/A	9593/1	OP ROD - Ni 52		
FINISH:—	TITLE: VRVT 250 SPECIAL			DRAWING NUMBER: D44736		
CASE - CLEAN						
OP ROD - CLEAN						