

DRAWING NUMBER:  
**D44839**

USED ON

©  
DESIGN  
COPYRIGHT  
RESERVED

Data Sheet

THIRD ANGLE  
PROJECTION



SIZE  
**A3**

D.O.REFS.  
D40014

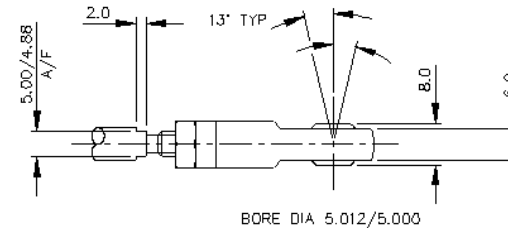
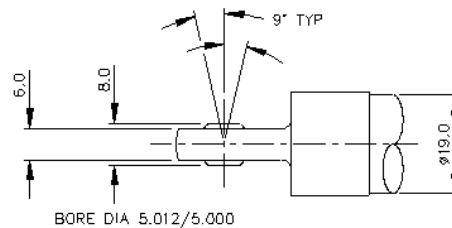
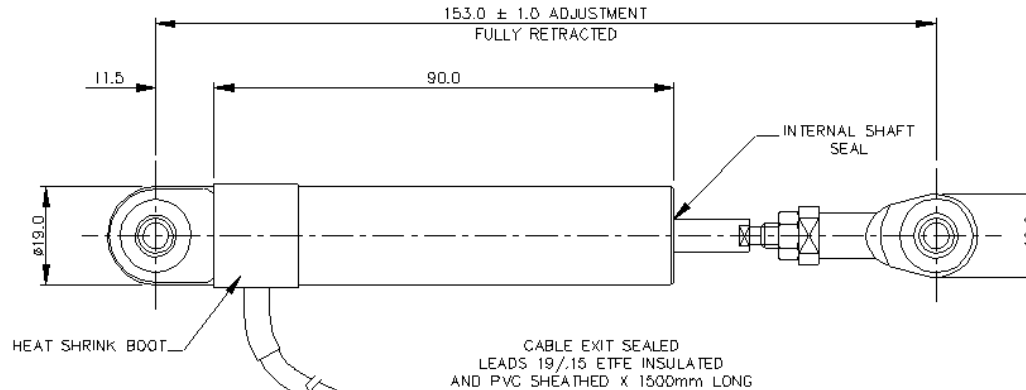
SUB-MASTER  
FROM: -

APPROVED

M Bentley

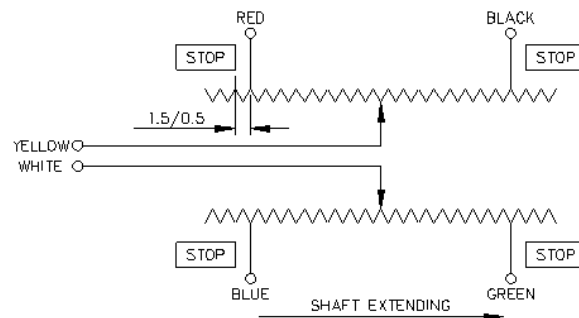
CHECKED  
M Boote

DRAWN  
M. BOOTE



THIS INSTRUMENT IS DESIGNED TO MEET THE CUSTOMERS SPECIFICATION  
HOWEVER IT IS THE CUSTOMERS RESPONSIBILITY TO ENSURE  
SUITABILITY FOR INTENDED APPLICATION FOR IN FLIGHT USE  
WARRANTY: - 12 MONTHS SUBJECT TO OPERATION WITHIN AGREED SPECIFICATION

**ELECTRICAL SCHEMATIC**



**ELECTRICAL SPECIFICATION**

ELECTRICAL STROKE	25mm ± 0.5mm
MECHANICAL STROKE	28mm ± 0.5mm
RESISTANCE	1KΩ ± 10%
INDEPENDENT LINEARITY	< ± 0.5%
POWER DISSIPATION	0.5W @ 20°C
INSULATION RESISTANCE	> 100MΩ @ 500Vdc
TEMPERATURE RANGE	-55°C TO +85°C
OPERATING FORCE	500gm APPROX
RESOLUTION	370 TURNS NOMINAL
LIFE	2 x 10 <sup>6</sup> CYCLES
VELOCITY	150mm/sec MAX
STORAGE	10 CYCLES TO BE COMPLETED ONCE PER YEAR TO CLEAR NOISE
SHELF LIFE	5 YEARS

NOTE: - SPECIFICATION APPLIES TO BOTH WINDINGS WHERE APPLICABLE



CONTROLS LIMITED,  
Christchurch,  
Dorset, U.K.

ISSUE	3	4	5	6	
DATE	10-10-95	24-10-95	3-3-98	8-1-99	
CHANGE	9624/1	9624/2	9624/5	9624/6	
FINISH: -	CASE ANODISE SHAFT CLEAN				

MATERIAL: -  
CASE AL ALLOY  
SHAFT ST STEEL

TOLERANCES	SCALE: 1:1
±.25	DIMS: mm

TITLE:  
**LP190/SA2/25/1K TYPE B**

DRAWING NUMBER:  
**D44839**