

DRAWING NUMBER:

D45029

USED ON
S05808
OIL GEAR
TOWLER

SPECIFICATION

ELECTRICAL STROKE LENGTH. _____ 80mm
 OPERATING TEMPERATURE RANGE _____ -40°C TO +85°C
 TEMPERATURE PERFORMANCE _____ ≤ ± 100ppm OF ELECTRICAL STROKE /°C (+20 TO +60°C)
 _____ ≤ ± 200ppm OF ELECTRICAL STROKE /°C (-40 TO +85°C)
 INDEPENDENT LINEARITY _____ < ± 0.50% OF STROKE
 RESOLUTION _____ INFINITE
 WORKING PRESSURE _____ 350 BAR MAX
 INSULATION RESISTANCE _____ YELLOW/BLUE TO CASE > 50MΩ @ 100Vdc
 _____ SCREEN TO CASE > 50MΩ @ 100Vdc
 CASE CONNECTION RESISTANCE _____ GREEN TO CASE < 1Ω

NOTES

- 1) THESE SPECIFICATIONS APPLY ONLY WHEN THE VRVT IS OPERATED IN CONJUNCTION WITH A PENNY & GILES 'EM' ELECTRONIC MODULE
- 2) ELECTRONIC MODULES ARE ORDERED SEPARATELY, SEE APPROPRIATE PENNY & GILES DATA SHEET(S)

PROGRAMMING MODULE

EACH TRANSDUCER IS SUPPLIED WITH A PROGRAMMING MODULE CALIBRATED TO MATCH THE ELECTRICAL STROKE LENGTH. THE MODULE IS PLUGGED INTO THE REQUIRED 'EM' ELECTRONIC MODULE VIA MATING CONNECTORS

©
DESIGN
COPYRIGHT
RESERVED

Data Sheet

THIRD ANGLE
PROJECTION



SIZE

A3

D.O.REFS.

SUB-MASTER
FROM: -

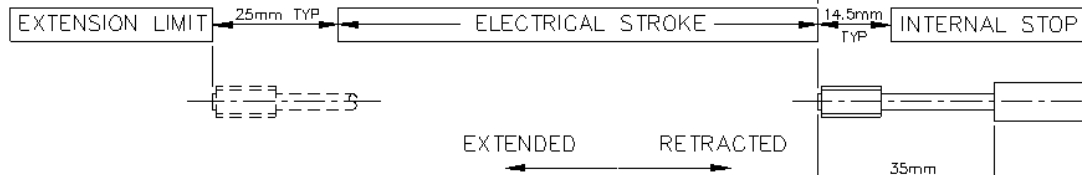
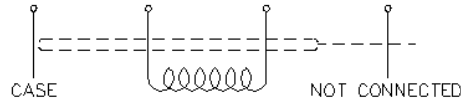
APPROVED
K.B.

CHECKED
M.Boote

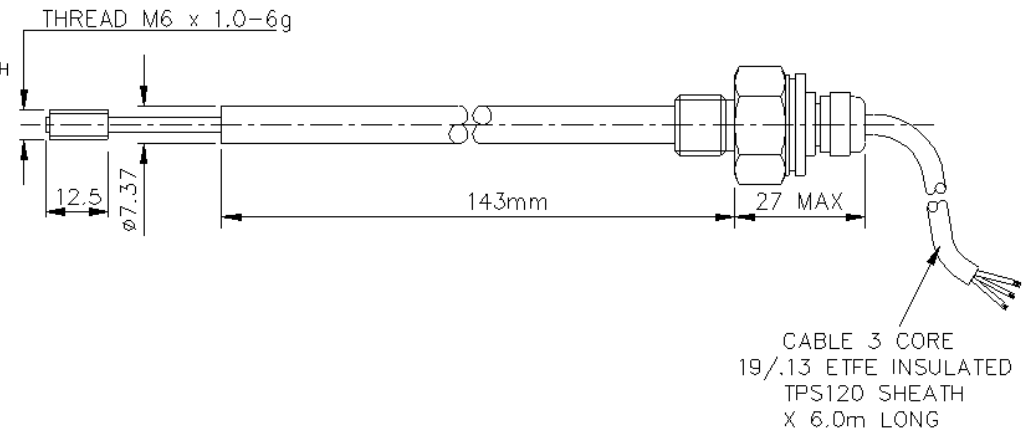
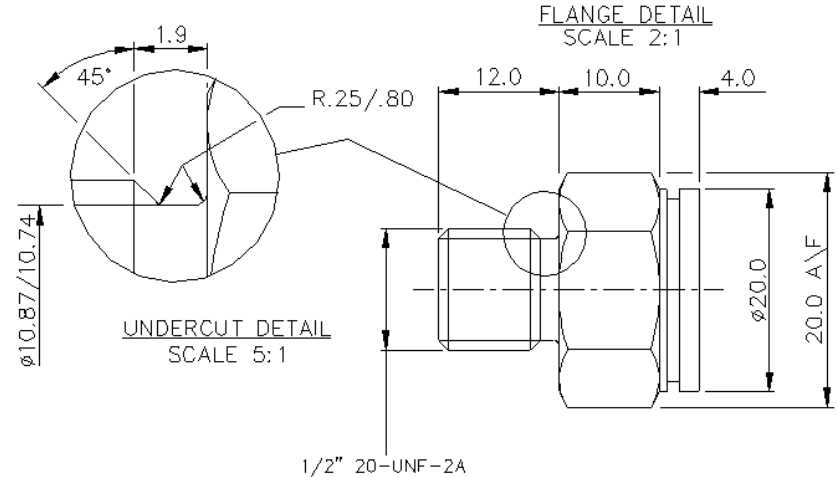
DRAWN
CD LEWIS

SCHEMATIC AND CONNECTION DETAILS

IDENTIFICATION	CASE	COIL +	COIL -	SCREEN
COLOUR	GREEN	YELLOW	BLUE	—



Penny+Giles POSITION SENSORS LIMITED,
Christchurch,
Dorset, U.K.



ISSUE	1				MATERIAL: -	TOLERANCES	SCALE: 1:1
DATE	10/02/97				MAIN ASSY - ST. STEEL	±.25	DIMS: mm
CHANGE	8734/1				CORE - Ni IRON		
FINISH: -	TITLE: VRVT080/SPECIAL		DRAWING NUMBER:		D45029		
MAIN ASSY - CLEAN							
CORE - CLEAN							