

DRAWING NUMBER:
D45128

USED ON
BEATRONIC

©
DESIGN
COPYRIGHT
RESERVED

Data Sheet

THIRD ANGLE
PROJECTION



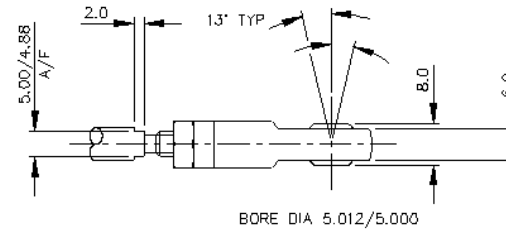
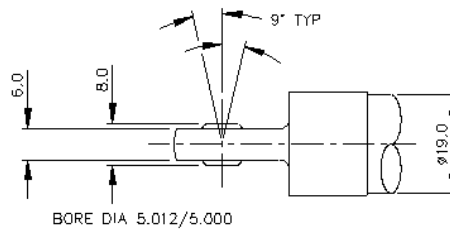
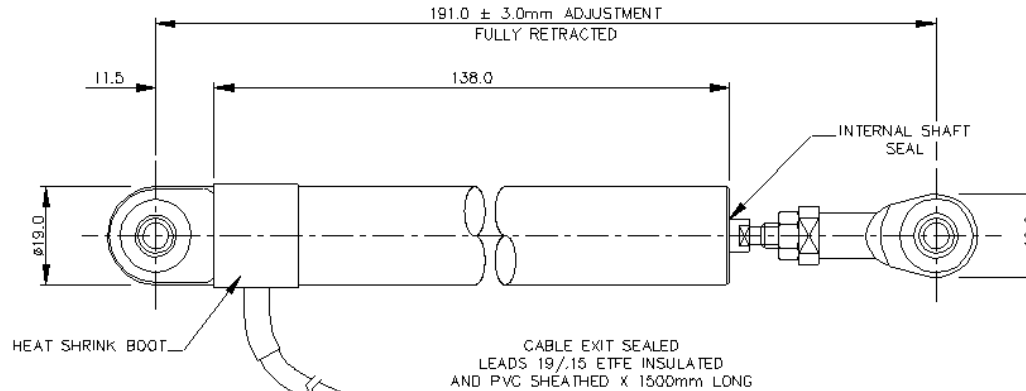
SIZE
A3

D.O.REFS.

SUB-MASTER
FROM: -

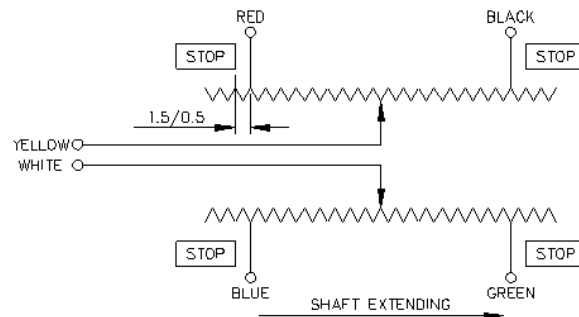
APPROVED
M BENTLEY

CHECKED
M BOOTE
DRAWN
I.HURST



THIS INSTRUMENT IS DESIGNED TO MEET THE CUSTOMERS SPECIFICATION
HOWEVER IT IS THE CUSTOMERS RESPONSIBILITY TO ENSURE
SUITABILITY FOR INTENDED APPLICATION FOR IN FLIGHT USE
WARRANTY: - 12 MONTHS SUBJECT TO OPERATION WITHIN AGREED SPECIFICATION

ELECTRICAL SCHEMATIC



ELECTRICAL SPECIFICATION

ELECTRICAL STROKE	75mm ± 0.5mm
MECHANICAL STROKE	78mm ± 0.5mm
RESISTANCE	1KΩ ± 10%
INDEPENDENT LINEARITY	< ± 0.5%
POWER DISSIPATION	1.5W @ 20°C
INSULATION RESISTANCE	> 100MΩ @ 500Vdc
TEMPERATURE RANGE	-55°C TO +85°C
OPERATING FORCE	250gm APPROX
RESOLUTION	720 TURNS NOMINAL
STORAGE	10 CYCLES TO BE COMPLETED ONCE PER YEAR TO CLEAR NOISE
SHELF LIFE	5 YEARS

NOTE: - SPECIFICATION APPLIES TO BOTH WINDINGS WHERE APPLICABLE



CONTROLS LIMITED,
Christchurch,
Dorset, U.K.

ISSUE	1	2	3		
DATE	26/8/97	2/4/98	05/11/98		
CHANGE	CH9805/1	CH9805/2	CH9805/4		
FINISH: -	CASE - ANODISE SHAFT - CLEAN				

MATERIAL: -
CASE - AL ALLOY
SHAFT - ST. STEEL

TOLERANCES	SCALE: 1:1
±.25	DIMS: mm

TITLE:
LP190/SA2/75/1K TYPE B

DRAWING NUMBER:
D45128