

DRAWING NUMBER
D45481

USED ON

SUB-MASTER FROM -

DESIGN COPYRIGHT RESERVED

SIZE
A2



THIRD ANGLE PROJECTION TO B.S.308

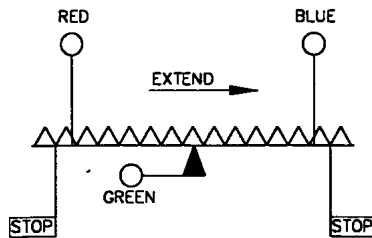
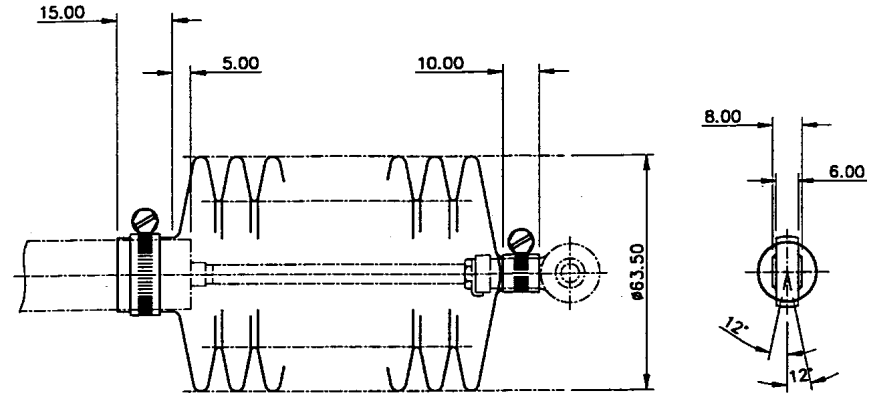
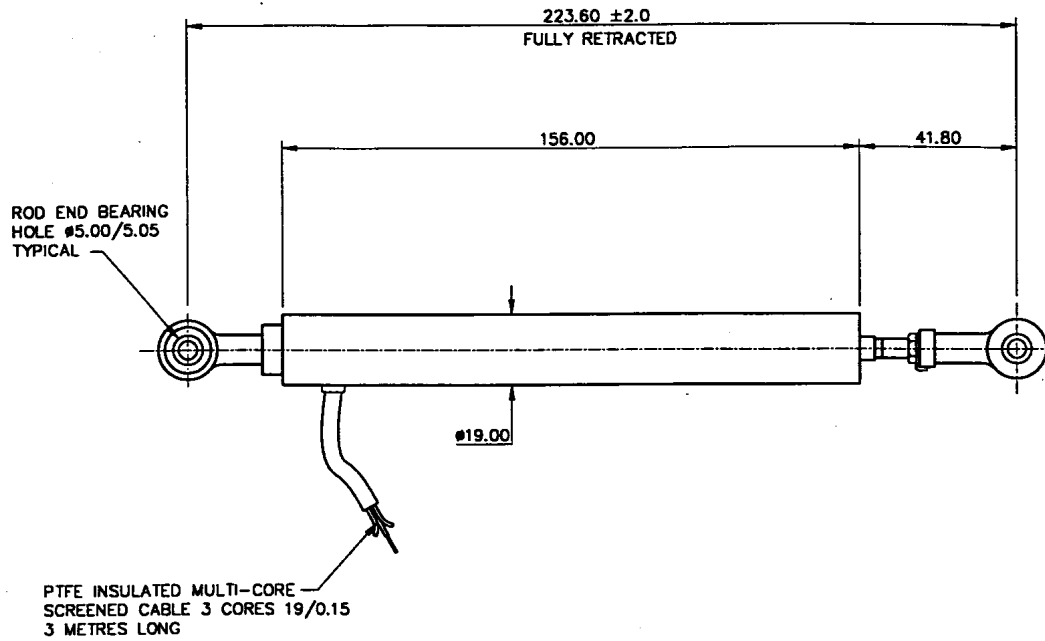
Data Sheet

D.O. REFS.

APPROVED

CHECKED

DRAWN
P.W.



SPECIFICATION 20° UNLESS SPECIFIED OTHERWISE

ELECTRICAL STROKE LENGTH	75	+0.0
MECHANICAL STROKE LENGTH	75	-0.5
RESISTANCE (K Ω \pm 10%)	3	+1.0
INDEPENDENT LINEARITY ($\pm\%$)	0.15	-0.0
WEIGHT g (APPROX)	175	
LIMITING VOLTAGE	130V	
RESOLUTION	VIRTUALLY INFINITE	
OUTPUT SMOOTHNESS	TO MIL-R-39023 GRADE C 0.1%	
WIPER CIRCUIT IMPEDANCE	>0.5M Ω	
INSULATION RESISTANCE	>100M Ω AT 500Vdc	
OPERATIONAL TEMPERATURE RANGE	-30°C TO +100°C	
OPERATING FORCE IN HORIZONTAL PLANE	250gmf MAXIMUM	



CONTROLS LIMITED
Christchurch
Dorset U.K

ISSUE	1			
DATE	08.08.00			
CHANGE	10075/1			
TOLERANCES:	0.25	DIMS:	mm	SCALE:
				1:1

MATERIAL: -
CASE: AL. ALLOY
ENDS: MOULDED PBT

FINISH: -
CASE: ANODISED
SHAFT: CLEAN

TITLE: -
HLP190/SA1/075/3K

DRAWING NUMBER
D45481