

DRAWING NUMBER:
D45550

USED ON
BEATRONIC

©
DESIGN
COPYRIGHT
RESERVED

Data Sheet

THIRD ANGLE
PROJECTION

SIZE
A3

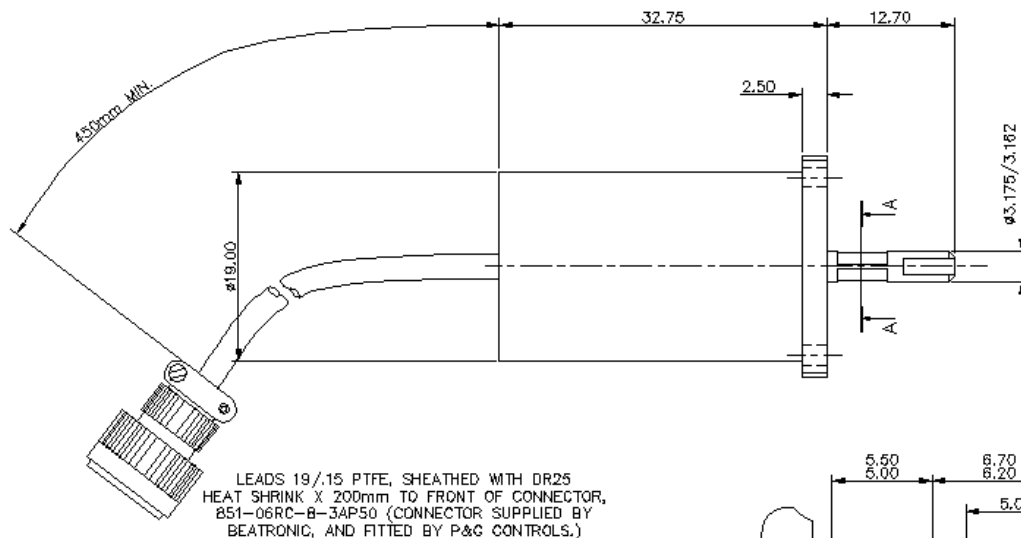
D.O.REFS.
D44860

SUB-MASTER
FROM: -

APPROVED

CHECKED

DRAWN
C.LEWIS

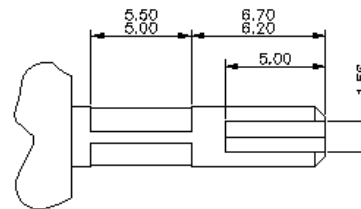


LEADS 19/.15 PTFE, SHEATHED WITH DR25
HEAT SHRINK X 200mm TO FRONT OF CONNECTOR,
851-06RC-B-3AP50 (CONNECTOR SUPPLIED BY
BEATRONIC, AND FITTED BY P&G CONTROLS.)

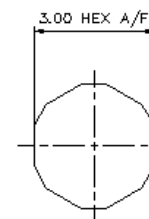
SPECIFICATION

RESISTANCE	2.65KΩ ± 10%
ELECTRICAL ANGLE	180° ± 2°
MECHANICAL ANGLE	360°
INDEPENDENT LINEARITY	< ± 1.0%
RESOLUTION	VIRTUALLY INFINITE
POWER DISSIPATION	0.5W @ 20°C
OUTPUT SMOOTHNESS	TO MIL-R-39023A GRADE C 0.1%
INSULATION RESISTANCE	> 50MΩ @ 500Vdc
WIPER LOAD IMPEDANCE	> 0.5MΩ
OPERATIONAL TEMPERATURE RANGE	-55°C TO +85°C
STARTING TORQUE	150gcm MAX
WIPER VELOCITY	3000°/SEC MAX
SEALING	IP65

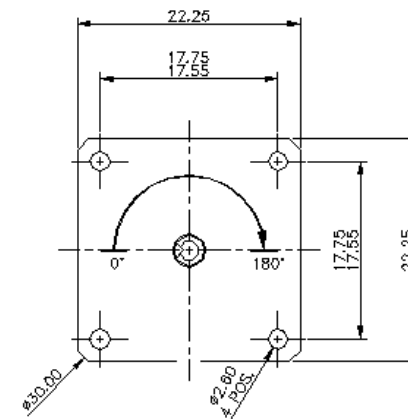
THIS INSTRUMENT IS DESIGNED TO MEET THE CUSTOMERS SPECIFICATION
HOWEVER IT IS THE CUSTOMERS RESPONSIBILITY TO ENSURE
SUITABILITY FOR INTENDED APPLICATION FOR IN FLIGHT USE
WARRANTY: - 12 MONTHS SUBJECT TO OPERATION WITHIN AGREED SPECIFICATION



SHAFT DETAIL
SCALE 4:1

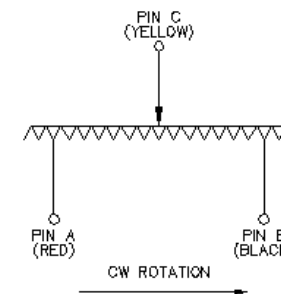


SECTION A-A
SCALE 8:1



PHASING NOTE
WHEN GROOVE ON SHAFT IS OPPOSITE
0° ON CASE AS SHOWN. WIPER (PIN C)
PHASING TO BE WITHIN ±5° OF CCW END (PIN A)

ELECTRICAL SCHEMATIC



CONTROLS LIMITED,
Christchurch,
Dorset, U.K.

ISSUE	1				
DATE	08/01/01				
CHANGE	10123/1				

MATERIAL: -
CASE AL ALLOY
SHAFT ST. STEEL

TOLERANCES
±.25

SCALE: 2:1
DIMS: mm

FINISH: -
CASE ANODISE
SHAFT CLEAN

TITLE: **HRP08/1P
(SEALED)**

DRAWING NUMBER:
D45550