

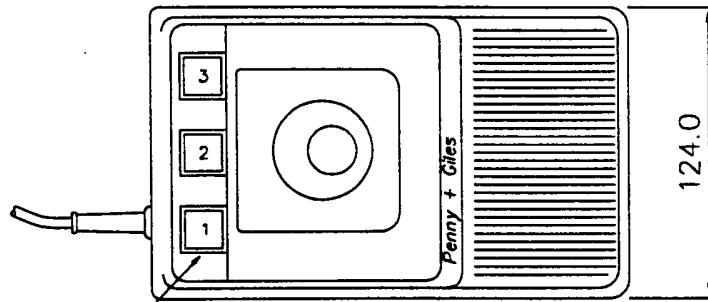
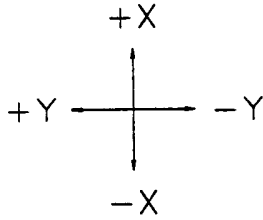
DS48058

30° ANGLE PROJECTION

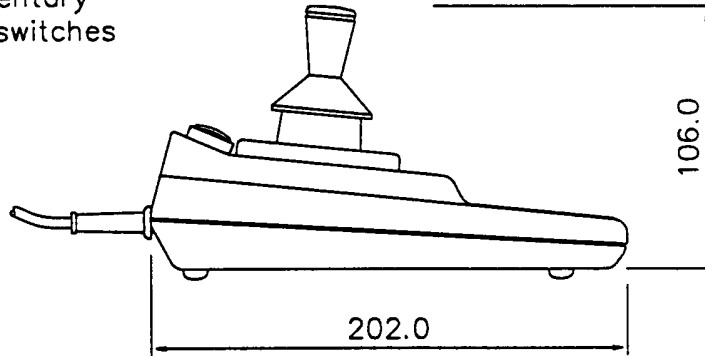
USED ON

D or
CAT No

M.A./S.A



3 momentary
action switches



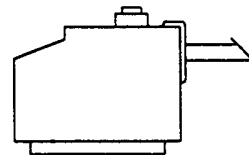
Specification

- Case ~ A.B.S, colour: grey.
- Cable ~ 3 mtrs, pvc sheath, colour: grey.
- Connector ~ 25 way 'D' type socket + 3.5mm jack socket.
- Joystick ~ Dual axis, self centering.
- Operating Angle ~ 36°.
- Operating Force ~ 300grms approx.
- Supply ~ +6 to 12V d.c @ 40mA max.
- Output ~ RS232 levels, format 22 (microsoft), 1200 baud.

Connection Details

Pin	Description	Colour
1	Protective gnd	Screen
2	Rx	Blue
3	Tx	Green
4	CTS	Yellow
7	0V gnd	Black
All other pins N/C		

3.5mm jack socket,
tip positive.
+6 to 12V @ 40mA.



25 way 'D' type socket.

ISSUE	1	2	3			
DATE	21.9.89	9.1.91	19.4.93			
CHANGE	CH51	CH51.2	CH51.6			

MATERIAL	FINISH	TOL.	SCALE
-	-	±1.0	-
			DIMS mm

APP

CHKD

PENNY + GILES

Penny & Giles
Computer Products LTD
Christchurch Dorset.
Tel (0202) 481751

DRAWN
R.HARNETT

TITLE
DIGITAL JOYSTICK (DJC2/25)

SIZE
A4

DRAWING NUMBER
DS48058