

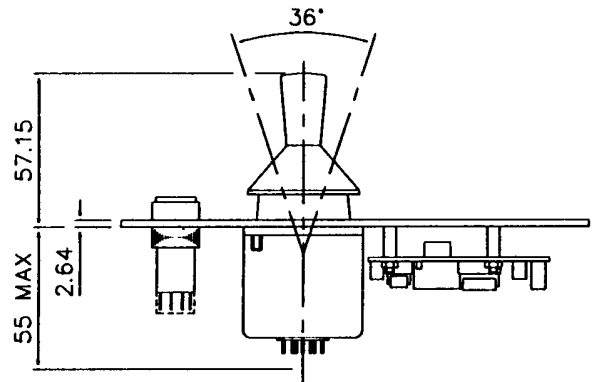
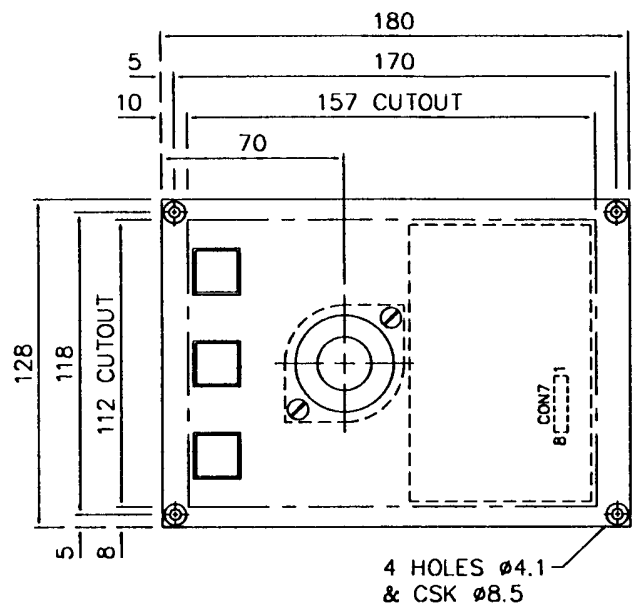
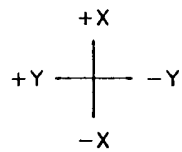
DRAWING NUMBER
DS48199

3rd ANGLE PROJECTION

USED ON

D or
CAT.No

M.A./S.A.



SPECIFICATION

- FACIA PLATE ~ 12 SWG MILD STEEL, FINISH: POWDER COAT, COLOUR: GREY.
- SWITCHES ~ 3 MOMENTARY ACTION, COLOUR BLACK.
- JOYSTICK ~ DUAL AXIS, SELF CENTRING.
OPERATING ANGLE ~ 36°.
- OPERATING FORCE ~ 300 GRMS APPROX.
- CONNECTOR ~ 8 WAY, LOW PROFILE MOLEX HEADER, 5483 SERIES.
- SUPPLY ~ +5V DC ±5% @ 40mA MAX.
- OUTPUT ~ RS232 LEVELS, FORMAT 22 (MICROSOFT), 1200 BAUD.

PANEL CUTOUT DIMENSIONS = 157mm x 112mm.

CONNECTION DETAILS (CON7)

PIN	DESCRIPTION
1	+5V
2	N/C
3	0V GND
4	TX
5	RESERVED
6	0V GND
7	CTS
8	RX

APP.	MATERIAL	FINISH	TOL.	SCALE 1:2	ISSUE	1	2	2A	3			
	-	-	±0.5		DATE	30.10.90	26.4.91	8.11.91	23.5.95			
CHKD.				DIMNS MM	CHANGE	CH132	CH132.2	CH132.3	CH132.4			
DRAWN R.HARNETT	 Penny & Giles Computer Products LTD Christchurch Dorset. Tel (01202) 481751				TITLE	SIZE			DRAWING NUMBER			
					FACIA MOUNTED DIGITAL JOYSTICK	A3	DS48199					