

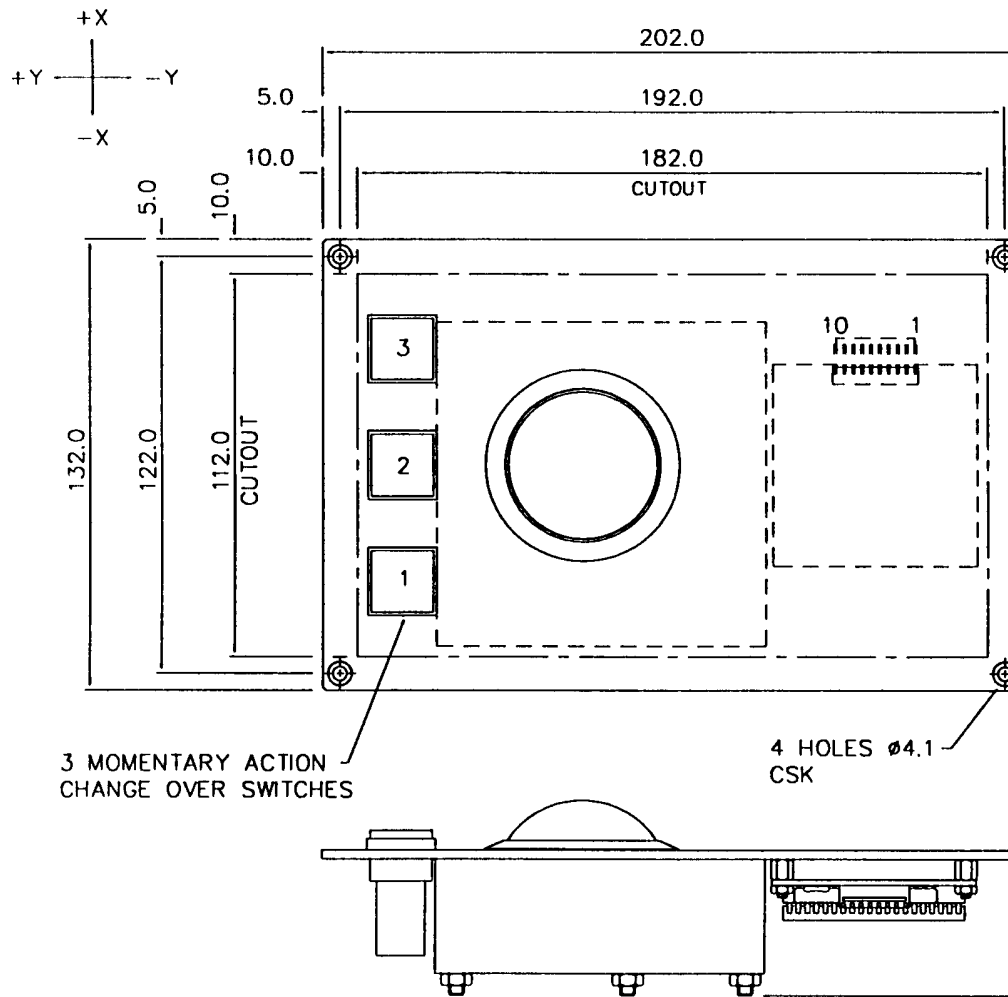
DRAWING NUMBER  
DS48231

3rd ANGLE PROJECTION

USED ON

D or  
CAT.No

M.A./S.A.



SPECIFICATION

- BALL ~  $\phi 2.0$ ", COLOUR: YELLOW.
- FACIA ~ 12 SWG MILD STEEL, ZINC PLATE & PAINT GREY (BS00 A 07).
- CONNECTOR ~ 10 WAY MALE SQ PIN 2.54mm PITCH HEADER.
- SUPPLY ~ +5V D.C  $\pm 5\%$  @ 320mA.
- OUTPUT ~ RS232 LEVELS, FORMAT 22 (MICROSOFT), 1200 BAUD.

CONNECTION DETAILS

PIN	DESCRIPTION
1	0V GND
2	+5V
3	TX
4	RX
5	N/C
6	BUSY
7	INTERNAL
8	SWITCH 1
9	SWITCH 2
10	SWITCH 3

APP.	MATERIAL	FINISH	TOL.	SCALE	ISSUE	1	2	3						
	-	-	$\pm 0.5$	-	DATE	11.2.91	21.10.91	18.9.92						
CHKD.				DIMNS	CHANGE	CH150	CH150.2	CH150.3						
DRAWN A.M.S	<b>PENNY + GILES</b>			Penny & Giles Computer Products LTD Christchurch Dorset. Tel (0202) 481751			TITLE 2" FACIA MOUNTED TRACKERBALL MICROSOFT OUTPUT			SIZE A3	DRAWING NUMBER DS48231			