

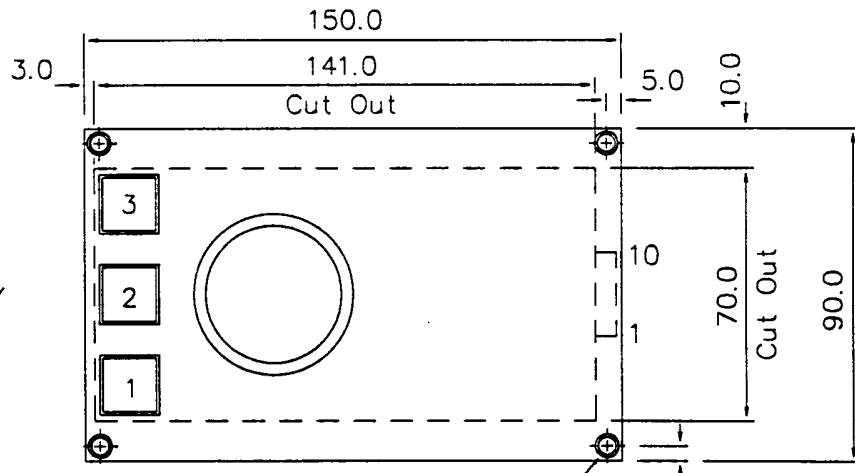
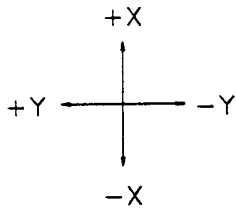
DRAWING NUMBER
DS48242

3rd ANGLE PROJECTION

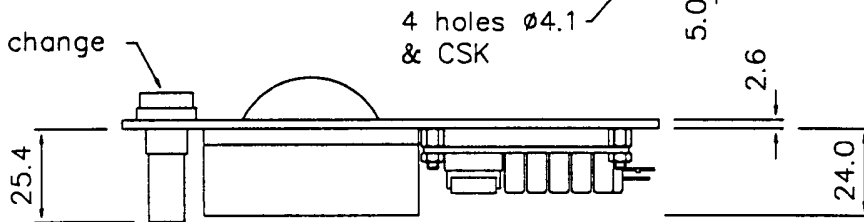
USED ON

D or
CAT No

M.A/S.A



Momentary change
over switch



Specification

- Ball ~ $\phi 1.5''$ colour: black.
- Facia ~ 12 swg mild steel zinc plate, painted grey to BS00 A 07.
- Resolution ~ 800 edges per ball rev.
- Connector ~ 10 way male square pin 2.54mm pitch header.
- Supply ~ +5V d.c $\pm 5\%$ @ 70mA typical.
- Output ~ TTL (inverted), format 19 (mouse systems), 5 byte, 1200 baud.

Pin Connections

| Pin | Description |
|-----|----------------------|
| 1 | 0V gnd |
| 2 | +5V |
| 3 | Tx |
| 4 | Rx |
| 5 | N/C |
| 6 | Busy |
| 7 | Connected internally |
| 8 | Switch 1 |
| 9 | Switch 2 |
| 10 | Switch 3 |

| | | | | | | |
|----------|----------|---------|--------|---|--|----------------|
| ISSUE | 1 | 2 | | | | |
| DATE | 18.12.91 | 5.6.92 | | | | |
| CHANGE | CH252 | CH252.2 | | | | |
| MATERIAL | - | | FINISH | - | | TOL. ± 0.5 |
| APP | | | | | | SCALE - |
| | | | | | | DIMS mm |

PENNY + GILES

Penny & Giles
Computer Products LTD
Christchurch Dorset.
Tel (0202) 481751

DRAWN R.HARNETT
TITLE 1.5" FACIA MOUNTED TRACKERBALL
SUN COMPATIBLE

SIZE A4
DRAWING NUMBER DS48242