

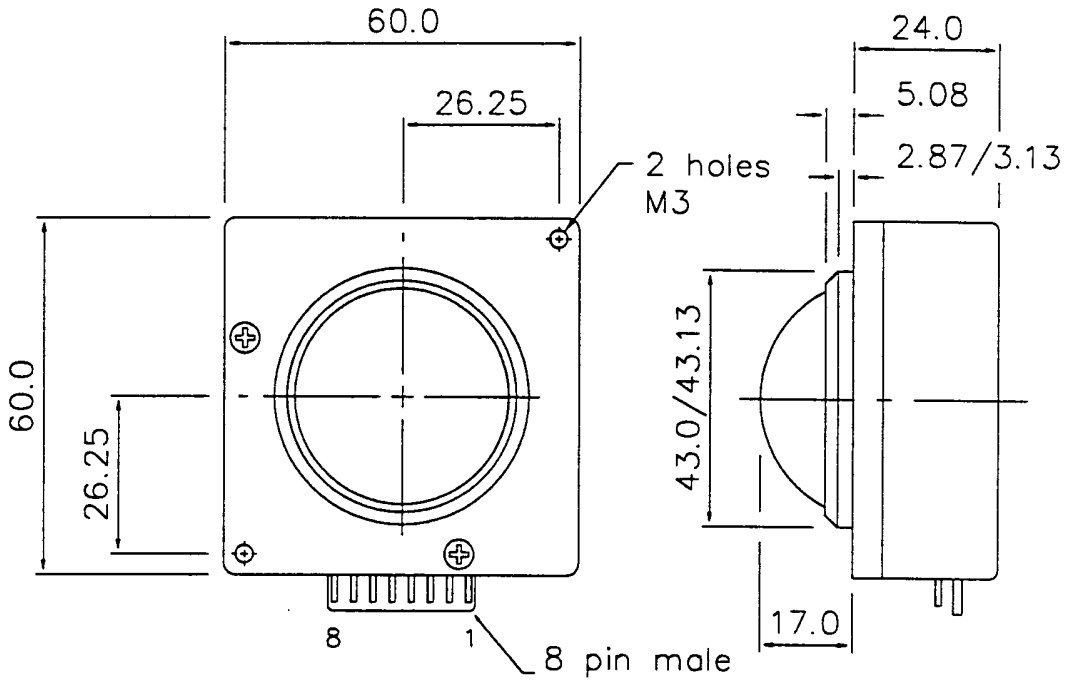
DRAWING NUMBER
DS48271

3rd ANGLE PROJECTION

USED ON
L64759

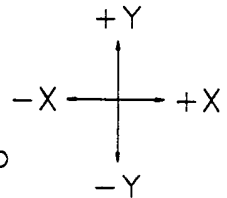
D or
CAT No

M.A/S.A



Specification

- Ball ~ $\varnothing 1.5''$ colour: black.
- Resolution ~ 800 edges/ball rev.
- Supply ~ +5V d.c $\pm 5\%$ @ 50mA.
- Output ~ TTL compatible square wave, two channels per axis displaced by $90^\circ \pm 85^\circ$. Channel A leads channel B for +ve ball movement.



Connection Details

Pin	Description
1	0V Gnd
2	+5V
3	Y Channel B
4	Y Channel A
6	X Channel B
7	X Channel A
5,8	N/C

ISSUE	1	1A			
DATE	30.1.92	24.3.93			
CHANGE	CH7577/17	CH7577/20			
MATERIAL	-	FINISH	-	TOL.	± 0.5
				SCALE	-
APP				DIMS	mm

PENNY + GILES

Penny & Giles
Computer Products LTD
Christchurch Dorset.
Tel (0202) 481751

DRAWN
R.HARNETT

TITLE
MINIATURE TRACKERBALL (MTBO)

SIZE
A4

DRAWING NUMBER
DS48271