

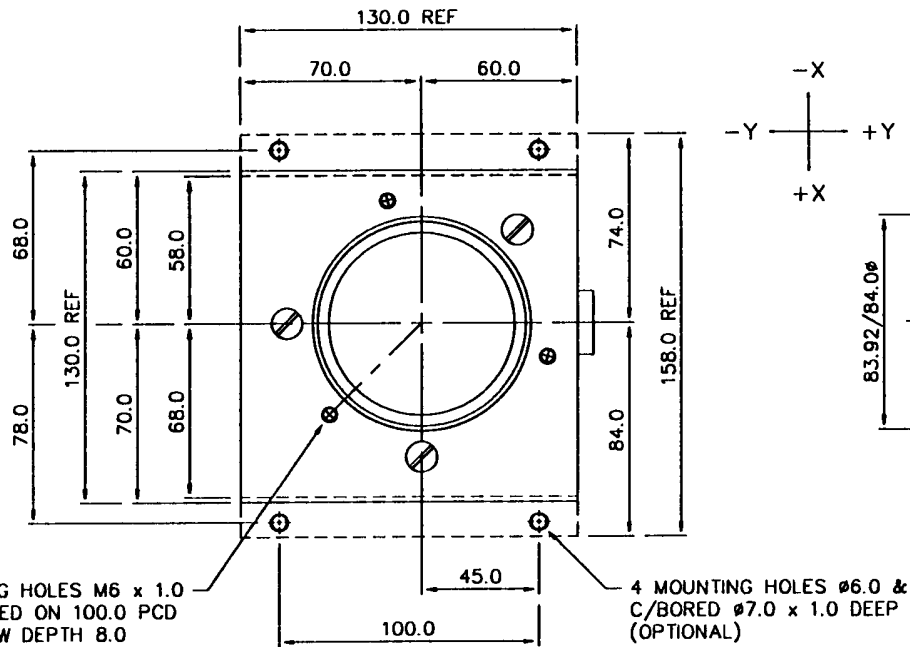
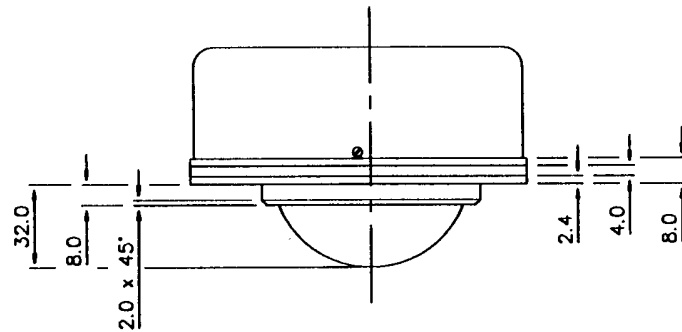
DRAWING NUMBER  
DS48280

3rd ANGLE PROJECTION

USED ON

D or  
CAT.No

M.A./S.A.



3 MOUNTING HOLES M6 x 1.0  
EQUI-SPACED ON 100.0 PCD  
MAX. SCREW DEPTH 8.0

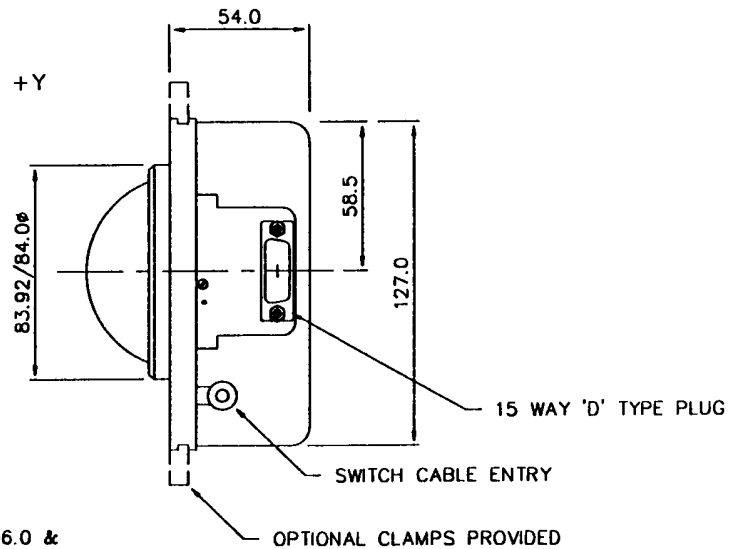
4 MOUNTING HOLES  $\phi 6.0$  &  
C/BORED  $\phi 7.0$  x 1.0 DEEP  
(OPTIONAL)

**SPECIFICATION**

BALL ~  $\phi 3.0$ " PHENOLIC, COLOUR: YELLOW.  
 CHASSIS ~ ALUMINUM ALLOY.  
 FINISH: BLACK ANODISE (TOP PLATE),  
 CHROMIC ANODISE (BASE & INT. SECT.).  
 RESOLUTION ~ 1000 EDGES PER BALL REV.  
 CONNECTOR ~ 15 WAY 'D' TYPE PLUG.  
 MASS ~ 1.5Kg MAX.  
 OP TORQUE ~ 30grms MAX.  
 SUPPLY ~ +5V D.C  $\pm 5\%$  @ 180mA MAX.  
 OUTPUT ~ RS232 LEVELS, FORMAT 22 (MICROSOFT),  
 1200 BAUD.

**CONNECTION DETAILS**

PIN	DESCRIPTION
3	+5V D.C
4	TX
6	RX
10	CTS (BUSY)
13	OV GND
ALL OTHER PINS N/C	



APP.	MATERIAL	FINISH	TOL.	SCALE 1:2 DIMNS MM	ISSUE	1	2	3				
	-	-	$\pm 0.5$		DATE	8.10.91	5.11.92	19.10.94				
CHKD.					CHANGE	CH224	CH224.2	CH224.7				
DRAWN R.HARNETT	<b>PENNY + GILES</b> Penny & Giles Computer Products LTD Christchurch Dorset. Tel (0202) 481751				TITLE LOW PROFILE 3" TRACKERBALL (RS232 SERIAL)			SIZE A3	DRAWING NUMBER DS48280			