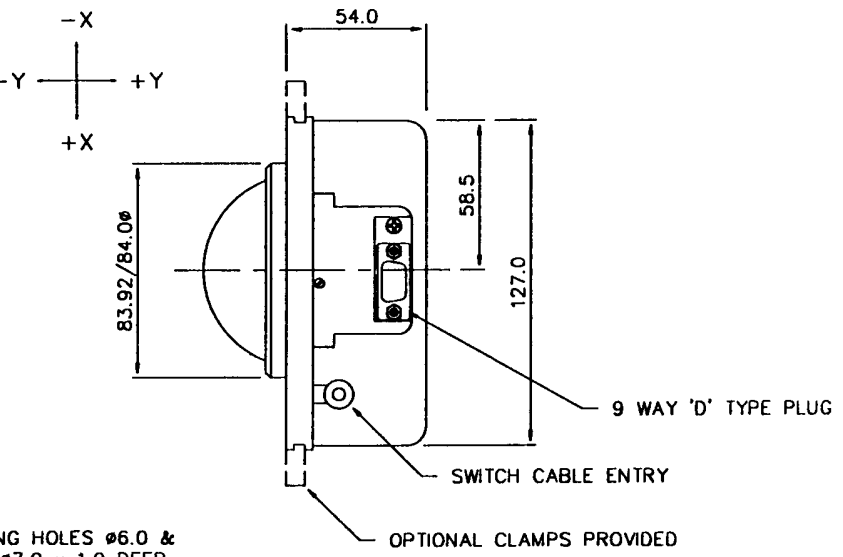
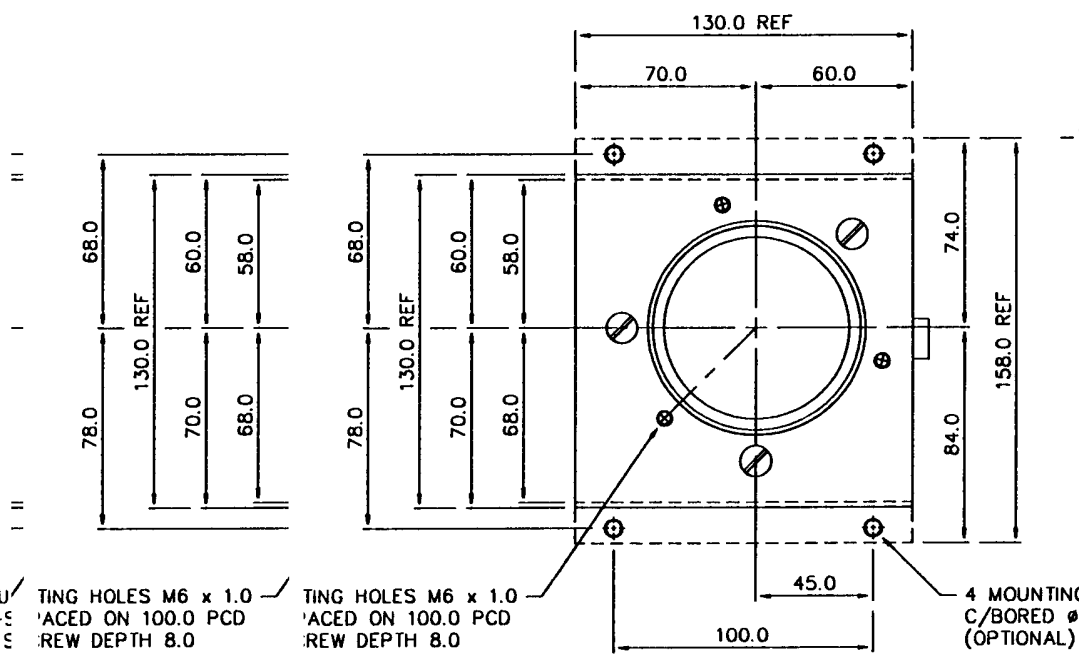
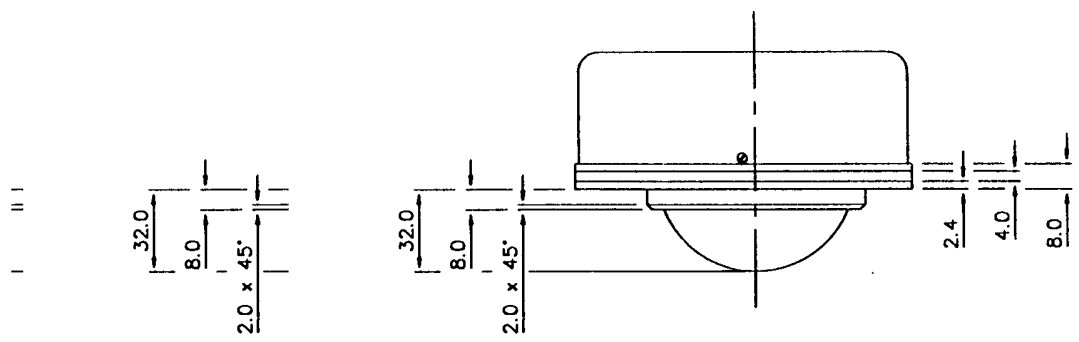


3ER 3rd 3rd ANGLE PROJECTION

**SPECIFICATION**  
 BALL ~ Ø3.0" PHENOLIC, COLOUR: YELLOW.  
 CHASSIS ~ ALUMINUM ALLOY.  
 FINISH: BLACK ANODISE (TOP PLATE),  
 CHROMIC ANODISE (BASE & INT. SECT.).  
 RESOLUTION ~ 1000 EDGES PER BALL REV.  
 CONNECTOR ~ 9 WAY 'D' TYPE PLUG.  
 MASS ~ 1.5Kg MAX.  
 OP TORQUE ~ 30grms MAX.  
 SUPPLY ~ +5V D.C ±5% @ 180mA MAX.  
 OUTPUT ~ PS2 AUXILIARY INPUT COMPATIBLE,  
 FORMAT 26.

**CONNECTION DETAILS**

PIN	DESCRIPTION
1	CLOCK
2	DATA
6	OV GND
7	+5V
ALL OTHER PINS N/C	



MOU TING HOLES M6 x 1.0  
 UI-S ACED ON 100.0 PCD  
 AX. S REW DEPTH 8.0

TING HOLES M6 x 1.0  
 ACED ON 100.0 PCD  
 REW DEPTH 8.0

4 MOUNTING HOLES Ø6.0 &  
 C/BORED Ø7.0 x 1.0 DEEP  
 (OPTIONAL)

SERIALS	FINISH	FINISH	TOL.	SCALE	ISSUE	1	1A	2					
			±0.5	1:2	DATE	18.2.93	14.6.93	18.10.94					
				DIMNS MM	CHANGE	CH348	CH348.2	CH348.3					
Penny & Giles Computer Products LTD Christchurch Dorset. Tel (0202) 481751					TITLE	LOW PROFILE 3" TRACKERBALL PS2 COMPATIBLE			SIZE	DRAWING NUMBER A3 DS48281			

IN CI PYRIGHT RESERVED PYRIGHT RESERVED