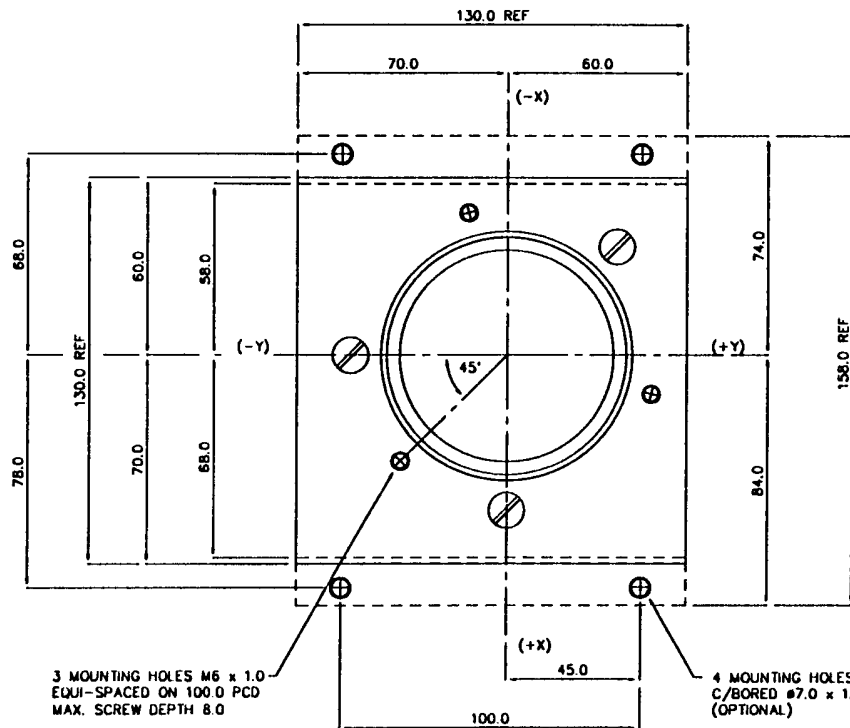
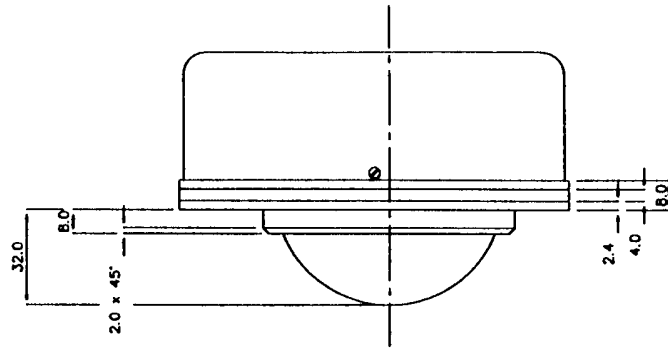


DS48288

3rd ANGLE PROJECTION



3 MOUNTING HOLES M6 x 1.0  
EQUI-SPACED ON 100.0 PCD  
MAX. SCREW DEPTH 8.0

4 MOUNTING HOLES #6.0 &  
C/BORED #7.0 x 1.0 DEEP  
(OPTIONAL)

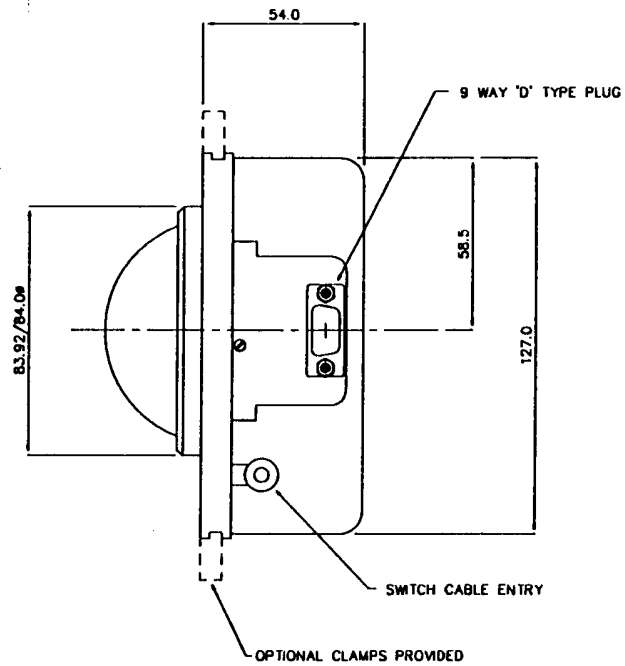
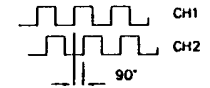
**SPECIFICATION**

BALL~ 3" PHENOLIC, COLOUR YELLOW  
CHASSIS~ ALUMINIUM ALLOY  
FINISH~ BLACK ANODISE (TOP PLATE)  
CHROMIC ANODISE (BASE & INT. SECT.)  
RESOLUTION~ 1000 EDGES PER BALL REV.  
INPUT~ +5v +/-5% @ 120mA  
OUTPUT~ TTL PHASED QUADRATURE  
CH1 LEADS CH2 BY 90 DEG +/- 60 DEG  
CONNECTOR~ 9 WAY 'D' TYPE PLUG (MALE)  
MASS~ 1.5kg MAX.  
OPERATING TORQUE~ 30grms MAX

**PIN ALLOCATION (9 WAY 'D' TYPE PLUG)**

- 1 +5v DC
- 2 X AXIS CH1
- 3 X AXIS CH2
- 4 Y AXIS CH1
- 5 Y AXIS CH2
- 6 SW1
- 7 SW2
- 8 SW3
- 9 SIGNAL GROUND

**OUTPUT WAVE FORM**



MATERIAL SEE NOTES	FINISH SEE NOTES	TOLERANCES UNLESS OTHERWISE STATED. ±0.5	ISSUE	1	2															
			DATE	8.10.91	5.11.92															
			CHANGE	CH225	CH225.2															
<b>PENNY + GILES</b> Penny & Giles Computer Products LTD Christchurch Dorset. Tel (0202) 481751			SCALE	0.8	TITLE		LOW PROFILE 3" TRACKERBALL (QUADRATURE)										SIZE	A2	DRAWING NUMBER	DS48288
			DIM'S IN	MM																