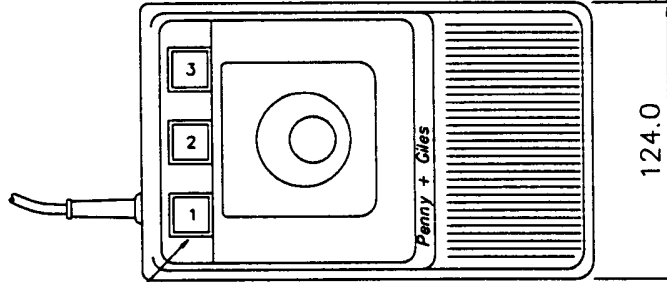
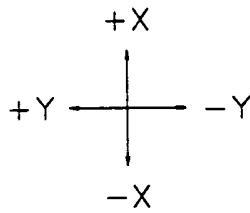


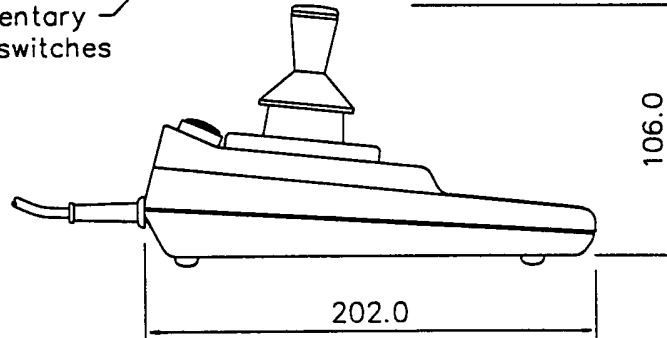
DRAWING NUMBER
DS48296

3rd ANGLE PROJECTION

USED ON



3 momentary action switches



D or
CAT No

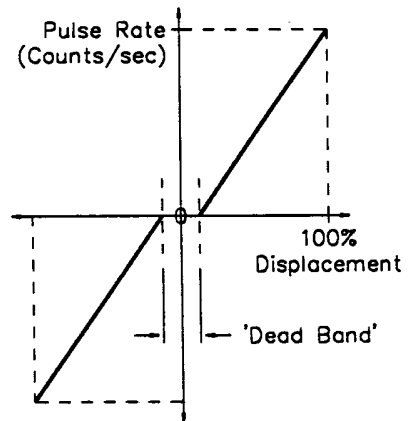
M.A./S.A

Specification

- Case ~ A.B.S, colour: grey.
- Cable ~ 1.25 mtrs, pvc sheath, colour: grey.
- Connector ~ 9 way 'D' type plug.
- Joystick ~ Dual axis, self centering.
- Operating Angle ~ 36°.
- Operating Force ~ 300grms approx.
- Supply ~ +5V d.c ±5% @ 10mA max.
- Output ~ TTL compatible square wave, two channels displaced by 90° ±85°.
- Logic 1 - 2.7V min.
- Logic 0 - 0.8V max.

Connection Details

Pin	Description	Colour
1	+5V	Red
2	X Channel A	Orange
3	X Channel B	Yellow
4	Y Channel B	Green
5	Y Channel A	Blue
6	Switch 1	Violet
7	Switch 2	Pink
8	Switch 3	White
9	0V gnd	Black



ISSUE	1	2	2A	3		
DATE	22.7.91	29.8.91	28.9.92	7.5.93		
CHANGE	CH195	CH195.2	CH195.3	CH195.5		
MATERIAL	FINISH		TOL.		SCALE -	
-	-		±1.0		DIMS mm	

APP

CHKD

PENNY + GILES

Penny & Giles
Computer Products LTD
Christchurch Dorset.
Tel (0202) 481751

DRAWN
R.HARNETT

TITLE
DIGITAL JOYSTICK (DJCO)

SIZE
A4

DRAWING NUMBER
DS48296