

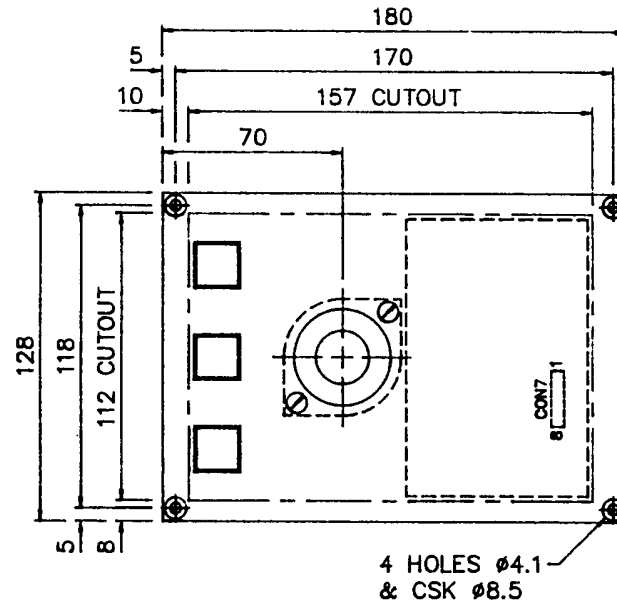
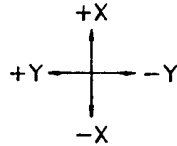
DRAWING NUMBER  
DS48299

3rd ANGLE PROJECTION

USED ON

D or  
CAT.No

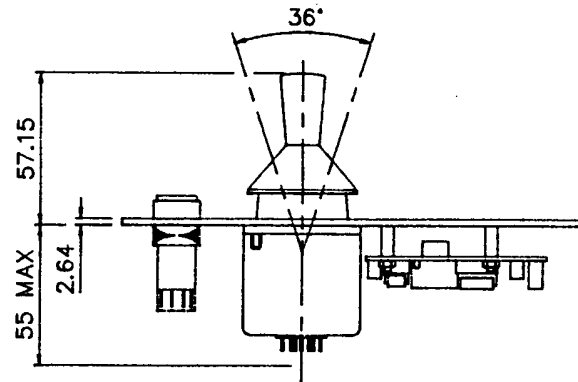
M.A./S.A.



**SPECIFICATION**

FACIA PLATE ~ 12 SWG MILD STEEL, FINISH: POWDER COAT, COLOUR: GREY.  
 SWITCHES ~ 3 MOMENTARY ACTION, COLOUR BLACK.  
 JOYSTICK ~ DUAL AXIS, SELF CENTRING.  
 OPERATING ANGLE ~ 36°.  
 OPERATING FORCE ~ 300 GRMS APPROX.  
 CONNECTOR ~ 8 WAY, LOW PROFILE MOLEX HEADER, 5483 SERIES.  
 SUPPLY ~ +5V DC ±5% ● 40mA MAX.  
 OUTPUT ~ RS232 LEVELS, FORMAT 24 (DEC MM), 4800 BAUD.

PANEL CUTOUT DIMENSIONS = 157mm x 112mm.



**CONNECTION DETAILS (CON7)**

PIN	DESCRIPTION
1	+5V
2	N/C
3	0V GND
4	TX
5	RESERVED
6	0V GND
7	CTS
8	RX

APP.	MATERIAL	FINISH	TOL.	SCALE	ISSUE	1	2						
	-	-	±0.5	1:2	DATE	3.10.91	5.9.95						
CHKD.				DIMNS	CHANGE	CH220	CH220.2						
DRAWN	 Penny & Giles Computer Products LTD Christchurch Dorset. Tel. (01202) 481751				TITLE			SIZE	DRAWING NUMBER				
R.HARNETT					FACIA MOUNTED DIGITAL JOYSTICK DEC COMPATIBLE			A3	DS48299				