

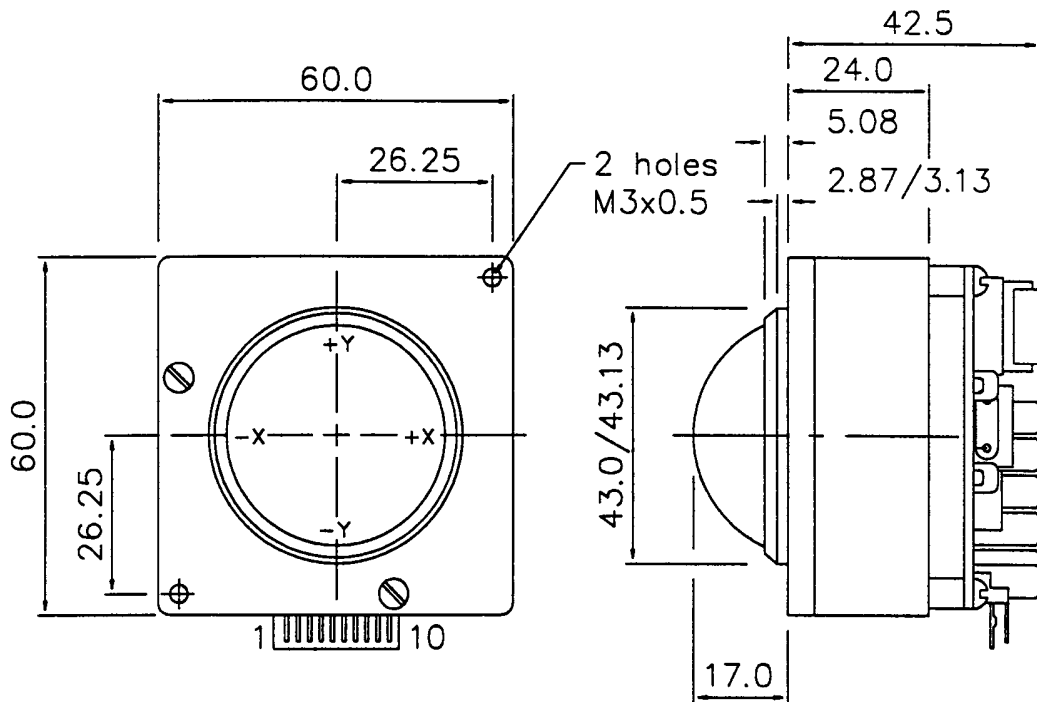
DRAWING NUMBER
DS48324

3rd ANGLE PROJECTION

USED ON

D or
CAT No

M.A/S.A



Specification

Ball ~ $\phi 1.5''$ colour: black.
 Resolution ~ 800 edges per ball revolution.
 Connector ~ 10 way male, square pin, 2.54 pitch.
 Supply ~ +5V d.c $\pm 5\%$ @ 200mA max.
 Output ~ RS232 levels, format 22 microsoft,
 1200 baud.

Connection Details

Pin	Description
1	0V
2	5V
3	Tx
4	Rx
5	N/C
6	Busy
7	Connected internally
8	Switch 1
9	Switch 2
10	Switch 3

ISSUE	6A	6B					
DATE	8.7.94	15.9.94					
CHANGE	CH7577.24	CH7577.25					
MATERIAL	-	FINISH	-	TOL.	± 0.5	SCALE -	
APP						DIMS	mm

PENNY + GILES

Penny & Giles
 Computer Products LTD
 Christchurch Dorset.
 Tel (0202) 481751

DRAWN
R.HARNETT

TITLE
MINIATURE TRACKERBALL
(MTB1/A)

SIZE
A4

DRAWING NUMBER
DS48324