

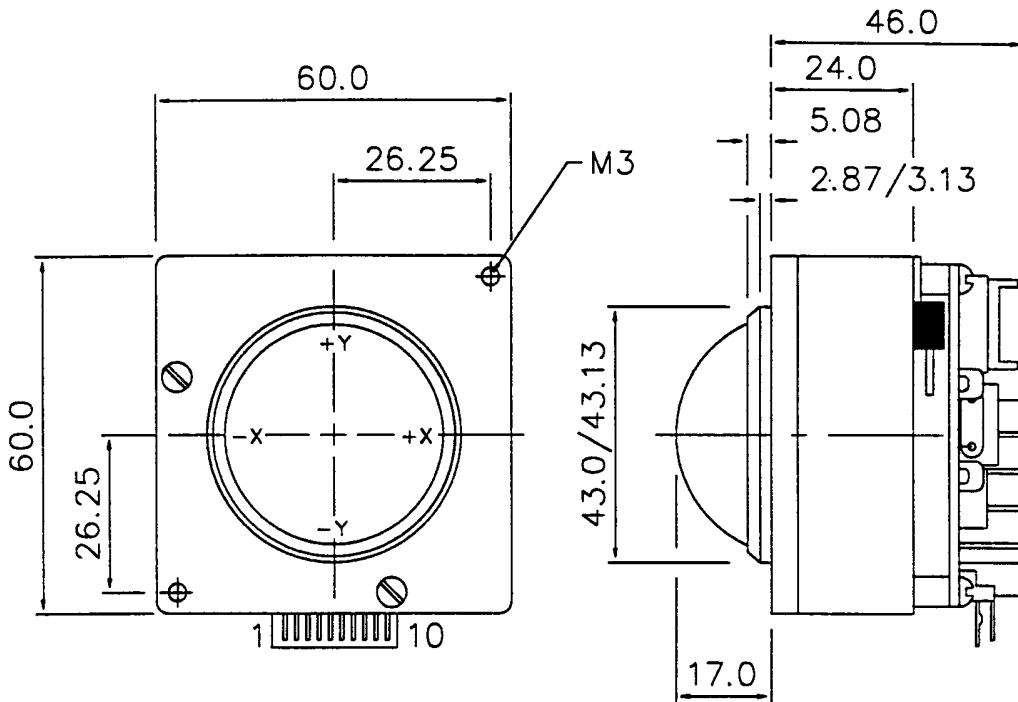
DRAWING NUMBER
DS48325

3rd ANGLE PROJECTION

USED ON

D or
CAT No

M.A/S.A



Specification

- Ball ~ ø1.5" colour: black.
- Resolution ~ 800 edges per ball revolution.
- Connector ~ 10 way male, square pin, 2.54 pitch.
- Supply ~ +7 to +12V d.c @ 40mA typical.
- Output ~ RS232 levels, format 22 microsoft, 1200 baud.

Connection Details

| Pin | Description |
|-----|----------------------|
| 1 | 0V gnd |
| 2 | Connected internally |
| 3 | Tx |
| 4 | Rx |
| 5 | N/C |
| 6 | Busy |
| 7 | +7 to +12V |
| 8 | Switch 1 |
| 9 | Switch 2 |
| 10 | Switch 3 |

| | | | | | | | |
|----------|---------|----------|--------|---|--|-----------|----|
| ISSUE | 1 | 2 | | | | | |
| DATE | 24.4.91 | 17.12.92 | | | | | |
| CHANGE | CH173 | CH173.2 | | | | | |
| MATERIAL | - | | FINISH | - | | TOL. ±0.5 | |
| APP | | | | | | SCALE | - |
| CHKD | | | | | | DIMS | mm |

PENNY + GILES

Penny & Giles
Computer Products LTD
Christchurch Dorset.
Tel (0202) 481751

| | | | |
|--------------------|--|------------|---------------------------|
| DRAWN R.HARNETT | TITLE MINIATURE TRACKERBALL (MTB2/A) | SIZE A4 | DRAWING NUMBER DS48325 |
|--------------------|--|------------|---------------------------|