

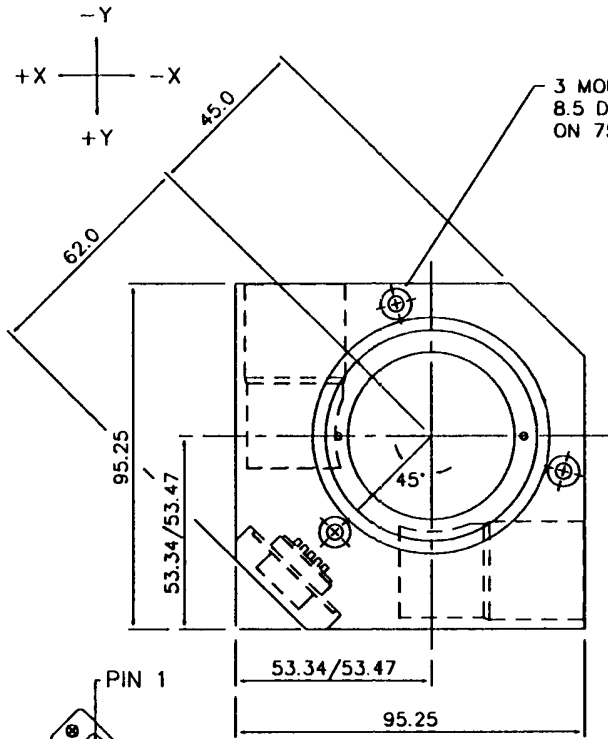
DRAWING NUMBER
DS48374

3rd ANGLE PROJECTION

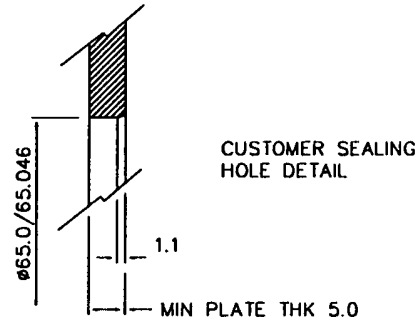
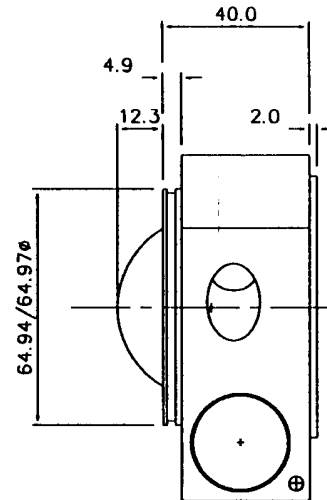
USED ON

D or
CAT.No

M.A./S.A.



3 MOUNTING HOLES 4.3 DIA & C'BORE
8.5 DIA x 1.5 DEEP. EQUI-SPACED
ON 75.0 PCD



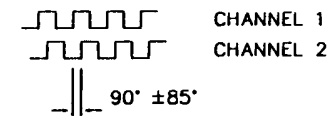
SPECIFICATION

BALL ~ Ø2.0" PHENOLIC, COLOUR: YELLOW.
CHASSIS ~ ANODISED ALLUMINUM, COLOUR: BLACK.
RESOLUTION ~ 200 COUNTS/BALL REV.
SUPPLY ~ +5V D.C ±5% @ 120mA MAX.
OUTPUT ~ TTL COMPATIBLE SQUARE WAVE WITH
TWO CHANNELS DISPLACED BY 90° ±85'.
CHANNEL 1 LEADS CHANNEL 2 FOR +Ve
BALL DISPLACEMENT.

CONNECTION DETAILS

PIN	DESCRIPTION	COLOUR
1	+5V	RED
2	X CHANNEL 1	YELLOW
3	X CHANNEL 2	BLUE
4	Y CHANNEL 2	YELLOW
5	Y CHANNEL 1	BLUE
6	N/C	-
7	N/C	-
8	N/C	-
9	0V GND	BLACK

**TTL PHASED QUADRATURE
WAVE FORM**



9 PIN SUB MINIATURE PLUG

APP.	MATERIAL	FINISH	TOL.	SCALE NTS	ISSUE	1	2	3			
	SEE NOTES	SEE NOTES	±0.5	DIMNS MM	DATE	14.2.92	22.4.92	24.5.93			
CHKD.					CHANGE	CH265	CH265	CH265.2			
DRAWN A.M.S	<p>PENNY + GILES Penny & Giles Computer Products LTD Christchurch Dorset. Tel (0202) 481751</p>				<p>TITLE WATERPROOF 2" PANEL MTD TRACKERBALL (WPTB0/2)</p>			<p>SIZE A3</p>	<p>DRAWING NUMBER DS48374</p>		