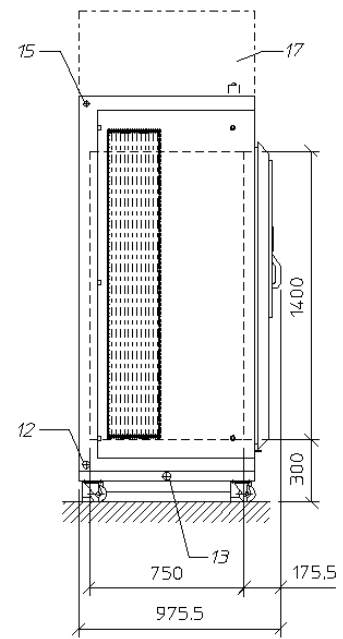
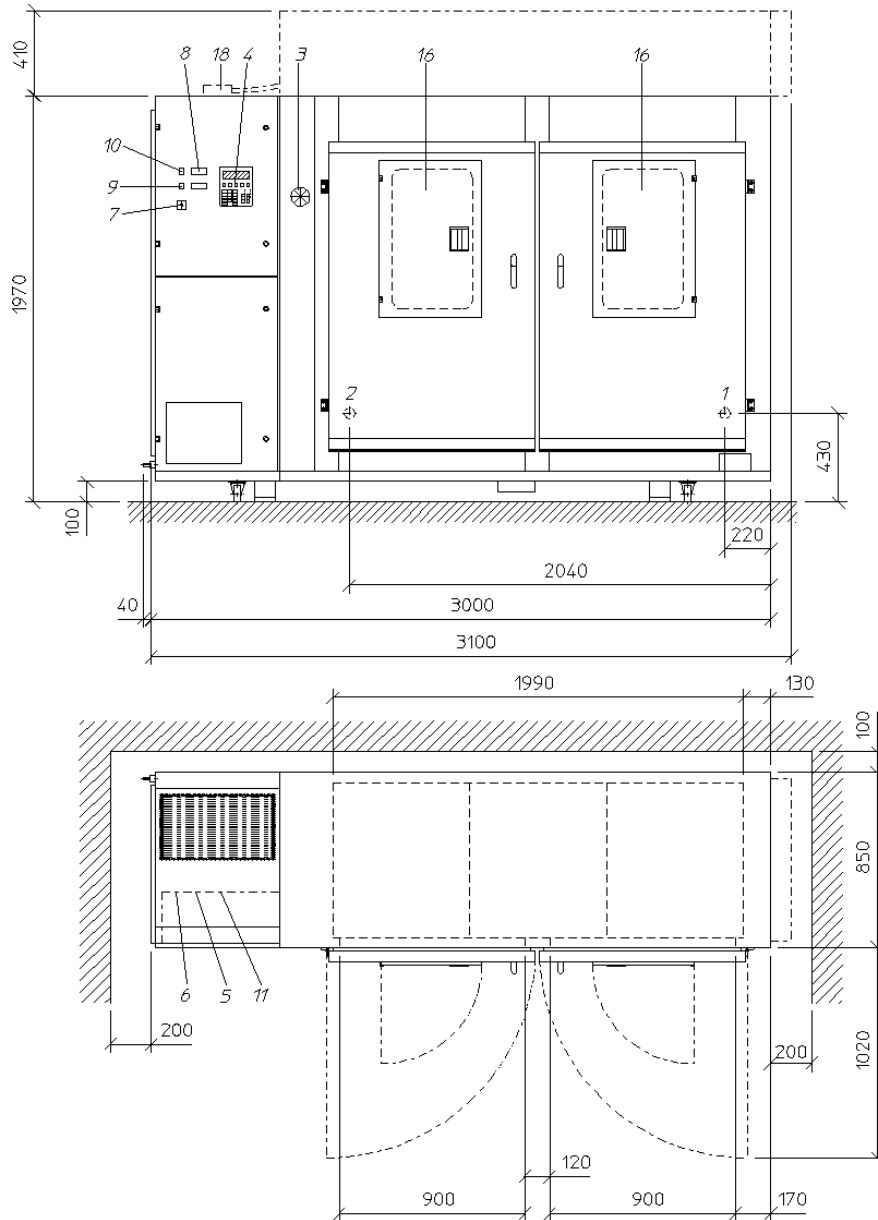


Layout



- 8 Adjustable operating temperature limiter*
- 9 Pushbutton for lamp frame*
- 10 Switch for test space illumination
- 11 Connector panel*
- 12 Connection for automatic water replenishment
- 13 Drain for test space and humidification water
- 15 Mains supply, cable length approx. 3.5 m
- 16 Door with window
- 17 Irradiation module 2* and 3*
- 18 Connection for irradiation module 2* and 3*

- 1,2 Entry port Ø 50 mm *
- 3 Fresh air
- 4 C-Terminal
- 5 Interface RS 232
- 6 Potential free contact
- 7 Main switch

For narrow entry openings components (e.g. hinges) may be screwed off to minimize width.

* optional accessory