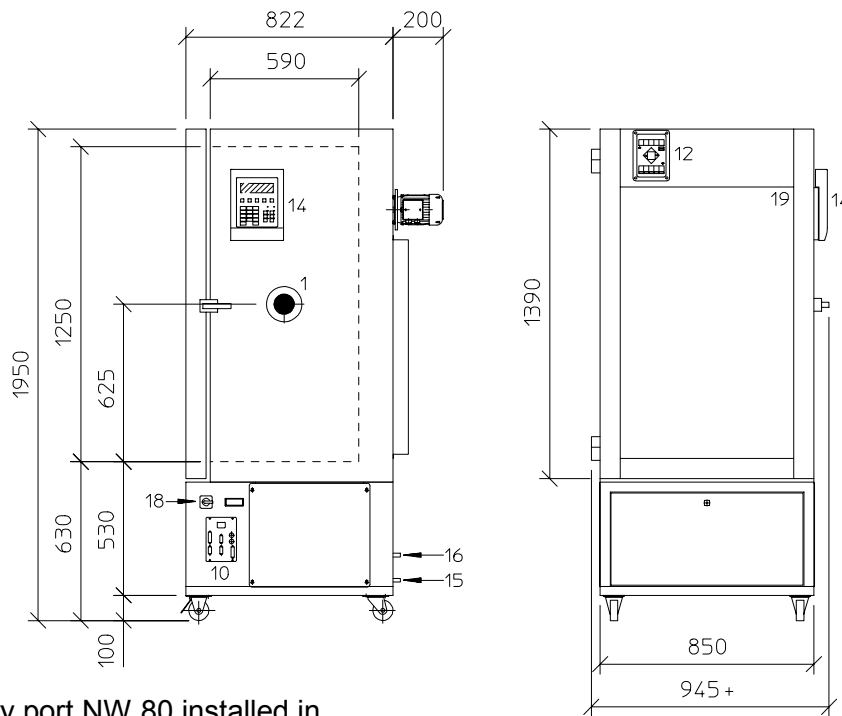
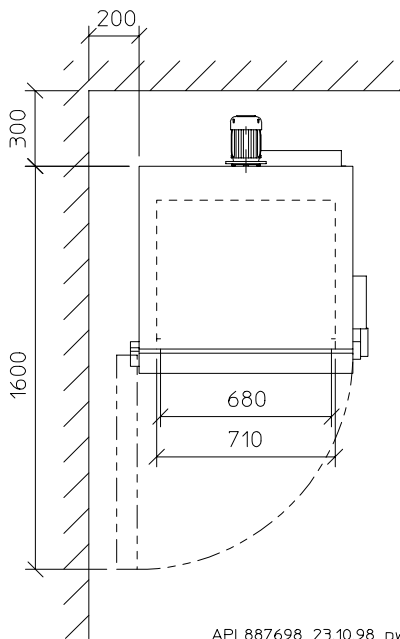


Layout VT 3050



- Entry port NW 80 installed in basic equipment

- 1 Installation position
- 10 Connector panel
- 11 Connector panel
- 12 E4-Terminal
- 14 C-Terminal *
- 15 Drain for test space water and cooling water connections
- 16 Power supply, cable length approx. 5 m
- 18 Main switch and adjustable operating temperature limiter *
- 19 Door with window *



Useful width

+ For narrow entry openings components (e.g. hinges) may be screwed off to minimize width.