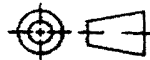


DRAWING NUMBER  
**A154907** SHT 3 OF 3

THIRD ANGLE  
 PROJECTION  
 TO B.S. 308



FOR GENERAL TOLERANCES & FINISHES  
 SEE PENNY & GILES STANDARD 55-301. FOR  
 GEOMETRIC TOLERANCES SEE B.S. 308 Pt 3.

HOLE DATA			DESCRIPTION	POS. TOL.
APPROX GRID REF.	HOLE REF.	No. OF HOLES		

USED ON  
**EM-1**  
 IF IN DOUBT ASK

D or CAT.No.

M.A. or S.A.

D.I.S. or M.R.I.

D.O. REFS.

SUB-MASTER FROM:

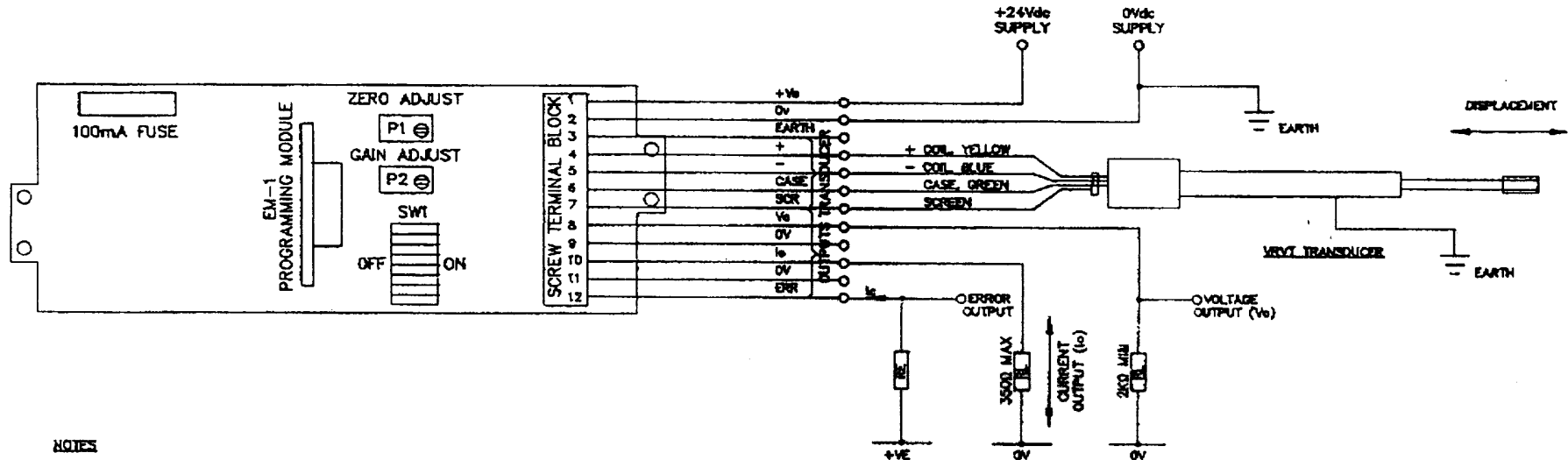
APPROVED

CHECKED

TRACED

DRAWN  
 M. BOOTE

**SCHEMATIC CONNECTION DIAGRAM**



- NOTES**
- 1) ALL 0V TERMINALS ON SCREW TERMINAL BLOCK ARE INTERNALLY LINKED TOGETHER ON THE PCB
  - 2) IF NECESSARY, EARTH CONNECTION TO VRVT BODY, (CASE) CAN BE ACHIEVED AT THE PCB END BY PLACING A LINK BETWEEN EARTH (3) AND 0V (2,9 OR 11) ON THE SCREW TERMINAL BLOCK

**FIG 2**

MATERIAL:-	FINISH:-	TOLERANCES	SCALE: NTS	ISSUE	2	2A													
			DIMS:	DATE	20-3-84	11-7-84													
				CHANGE	0032/11	0032/12													
<b>Penny+Giles</b> POSITION SENSORS LIMITED				TITLE: <b>EM-1 SETTING INSTRUCTION</b>				SIZE <b>A3</b>		DRAWING NUMBER <b>A154907 SHT 3 OF 3</b>									