

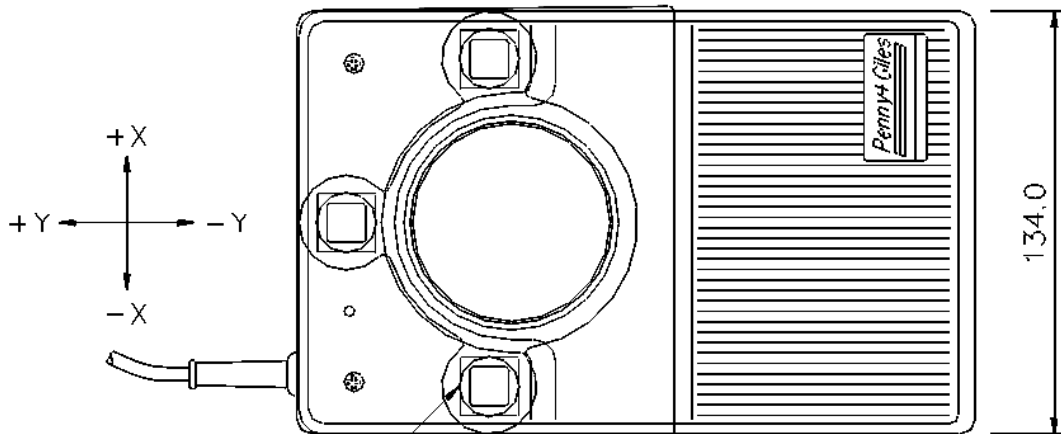
DRAWING NUMBER
DS48720

3rd ANGLE PROJECTION

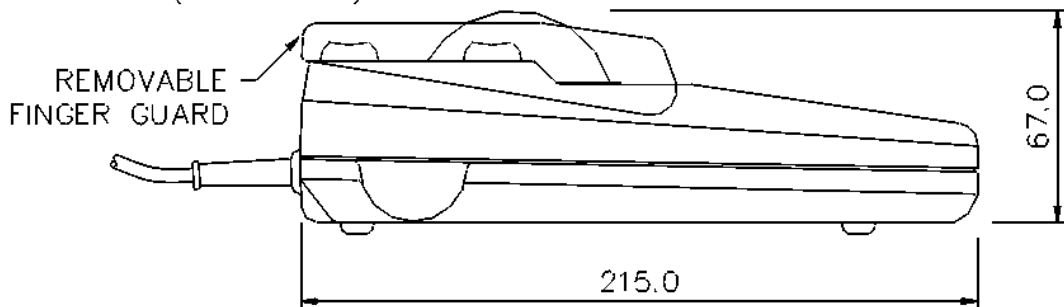
USED ON

D or
CAT No

M.A/S.A



3 MOMENTARY ACTION SWITCHES (SEE NOTES).

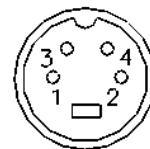


SPECIFICATION

CASE ~ A.B.S, COLOUR: GREY.
 BALL ~ $\phi 2.5"$, COLOUR: RED.
 CABLE ~ 2 MTRS, PVC SHEATH, COLOUR: GREY.
 CONNECTOR ~ 4 PIN DIN PLUG.
 RESOLUTION ~ 1080 EDGES/REVOLUTION.
 SUPPLY ~ +5V D.C $\pm 5\%$ @ 80mA MAX.
 OUTPUT ~ APPLE DESK TOP BUS MOUSE COMPATIBLE.

CONNECTION DETAILS

PIN	DESCRIPTION
1	DATA
2	RESERVED
3	+5V
4	0V GND



VIEW ON OPEN END OF PLUG

LEFT & RIGHT BUTTONS EMULATE APPLE MOUSE BUTTON.
 MIDDLE BUTTON (RED);
 1st PRESS ACTIVATES LATCHING "DRAG SWITCH" FACILITY.
 2nd PRESS RELEASES THE ELECTRONIC LATCH.
 ACTUATION OF LATCH INDICATED BY FLASHING LED.

ISSUE	1B	1C	1D	1E	2	3	
DATE	25.1.96	9.5.96	17.7.96	12.2.97	23.10.97	5.2.99	
CHANGE	CH459.3	CH459.4	RTC0540	RTC0574	ECN0649	ECN0760	
MATERIAL	FINISH		TOL.		SCALE		
	-		± 1.0		-		
APP						DIMS	mm

APP

CHKD

Penny+Giles

Penny & Giles Computer Products
 (A Division of Devlin Electronics LTD)
 Christchurch Dorset.
 Tel (01202) 481751

DRAWN
R.HARNETT

TITLE
TRACKERBALL ROLLER
TBDR/64/G1/MAC

SIZE
A4

DRAWING NUMBER
DS48720