

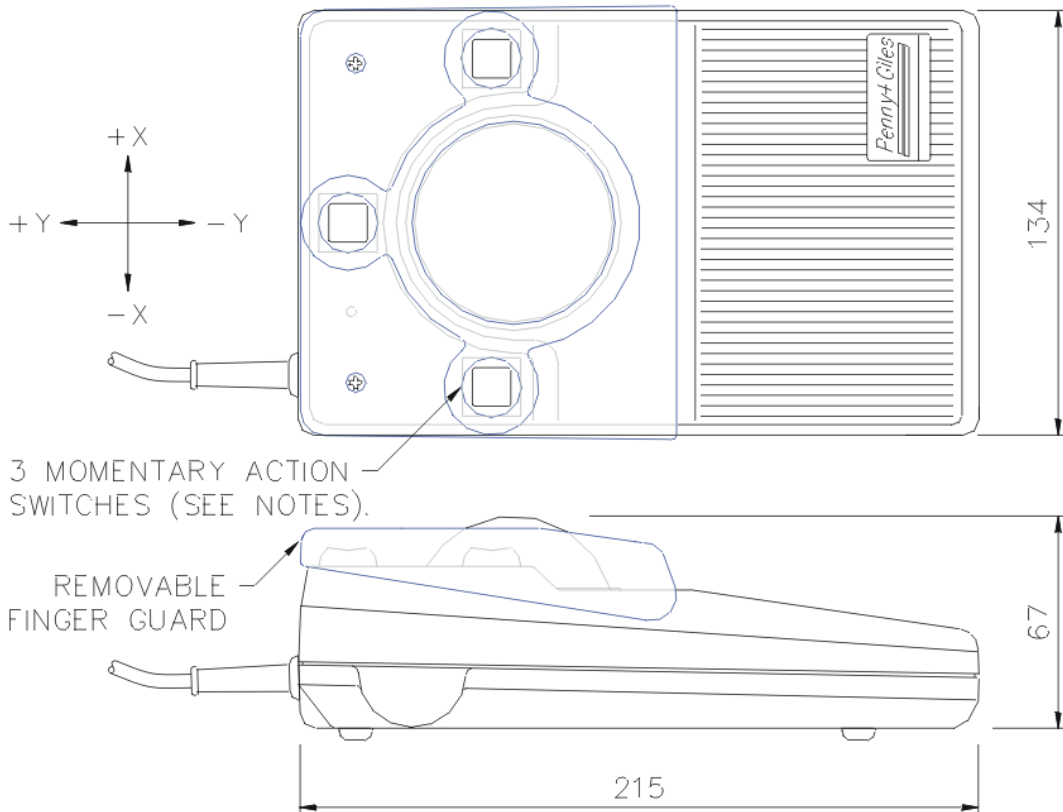
DRAWING NUMBER  
DS48733

3rd ANGLE PROJECTION

USED ON

D or  
CAT No

M.A/S.A



3 MOMENTARY ACTION SWITCHES (SEE NOTES).

REMOVABLE FINGER GUARD

SPECIFICATION

CASE ~ A.B.S, COLOUR: GREY.  
 BALL ~  $\phi 2.5''$ , COLOUR: RED.  
 CABLE ~ 3 MTRS, PVC SHEATH, COLOUR: GREY.  
 CONNECTOR ~ 9 WAY MINI DIN PLUG,  
 RESOLUTION ~ 1080 EDGES/REV.  
 SUPPLY ~ +5V D.C  $\pm 5\%$  @ 50mA.  
 OUTPUT ~ TTL PHASE QUADRATURE,  
 CHANNEL 1 LEADS CHANNEL 2 BY  $90^\circ \pm 85^\circ$ .

CONNECTION DETAILS

PIN	DESCRIPTION
6	+5V (WHITE)
4	OV GND (GREEN)
1	X CHANNEL 1 (RED)
5	X CHANNEL 2 (BLACK)
7	Y CHANNEL 1 (ORANGE)
9	Y CHANNEL 2 (GREY)
2	LH SWITCH (BLUE)
3	MIDD SWITCH (YELLOW)
8	RH SWITCH (BROWN)

LEFT (RED) & RIGHT BUTTONS ARE SINGLE CLICK WITH TIME DELAYED DRAG. ACTUATION OF LATCH IS SIGNIFIED BY A SHORT AUDIBLE SIGNAL & IS DEACTIVATED BY 2nd PRESS. MIDDLE BUTTON IS SINGLE CLICK ONLY.



VIEW ON OPEN END OF PLUG.

ISSUE	1	1A	1B	1C	2	
DATE	29.9.94	25.1.96	19.7.96	12.2.97	23.10.97	
CHANGE	CH460	CH460.2	RTC0540	RTC0574	ECN0649	
MATERIAL	-		FINISH	-		TOL. $\pm 1.0$
APP						SCALE -
CHKD						DIMS mm



Penny & Giles  
 Computer Products LTD  
 Christchurch Dorset.  
 Tel (01202) 481751

DRAWN  
R.HARNETT

TITLE  $\phi 2.5''$  ROLLER TRACKERBALL  
TBDR/64/GQ/ARC

SIZE A4  
DRAWING NUMBER DS48733