

DRAWING NUMBER  
P76244

3rd ANGLE PROJECTION

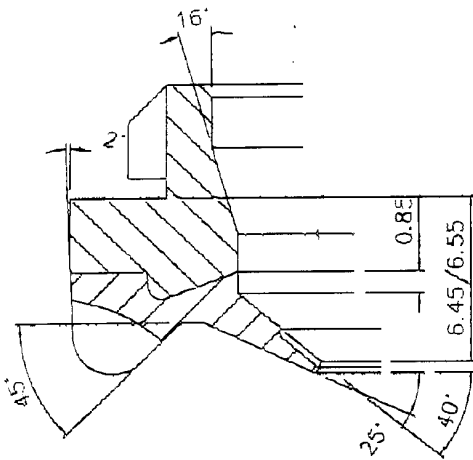
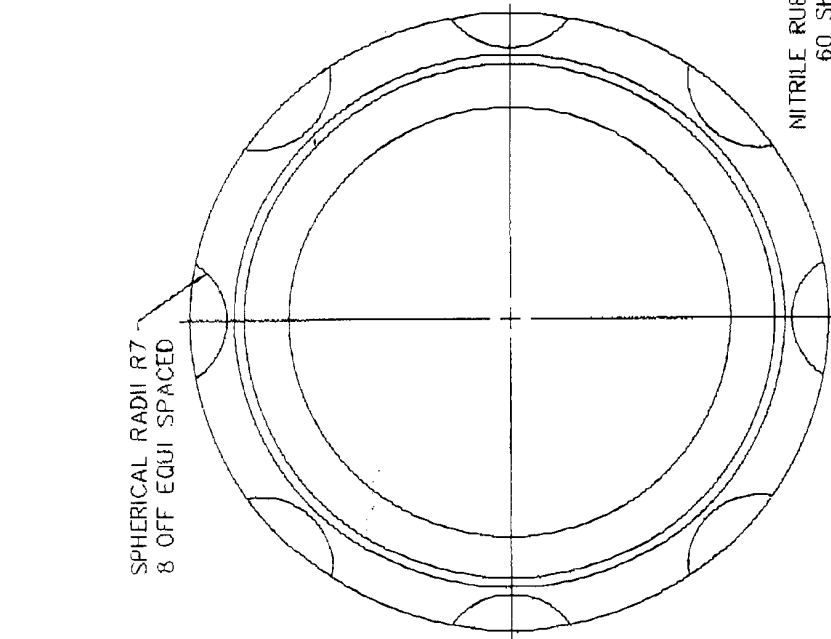
FINISH TABLE

OPTION	FINISH
A	BLACK ANODISE
B	RUBBERISE

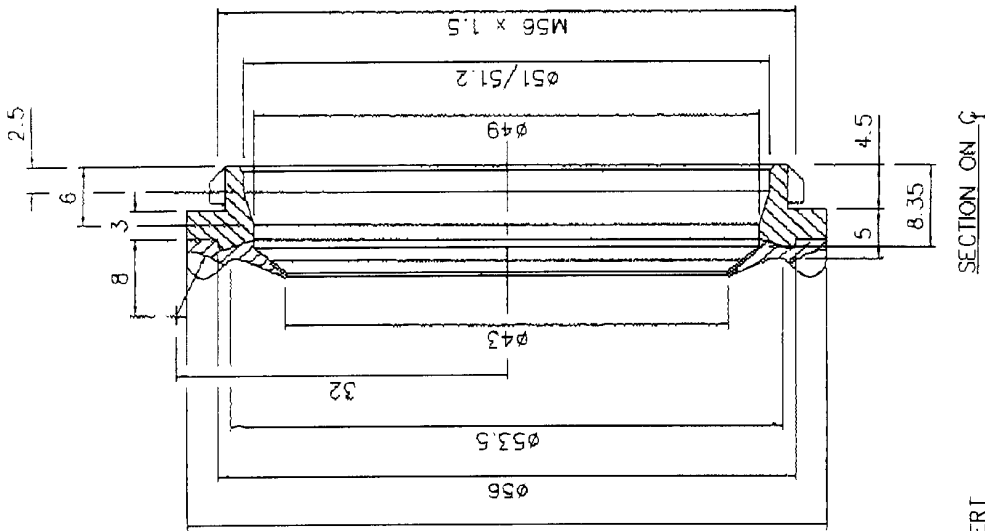
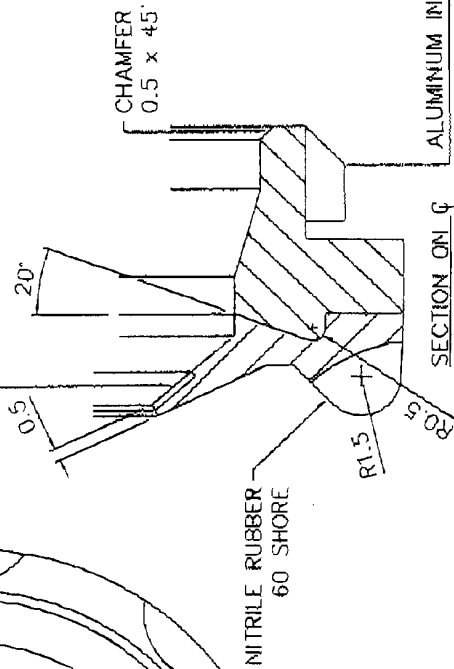
USED ON

D or  
CAT No  
D49002

M.A./S.A.



P.T.F.E FILM, 2.0 WIDE,  
0.25 THICK



SECTION ON  $\phi$   
SCALE 5:1

APP

FINISH

TOL

SCALE 2:1

ISSUE

DATE

CHANGE

SIZE

DRAWING NUMBER

CHVD

MATERIAL  
INSERT: ALUMINIUM (HE30)  
NITRILE RUBBER 60°

±0.1

MM

A  
3.3.98  
NEW DWG

A3

P76244

**Penny Giles**

*Penny & Giles Computer Products  
(A Division of Devlin Electronics LTD)  
Christchurch Darset.  
Tel (01202) 481751*

2" LIP SEAL  
RAISED PROFILE

DESIGN COPYRIGHT RESERVED

DP(10) 9.6.97