

Data for installation and operation

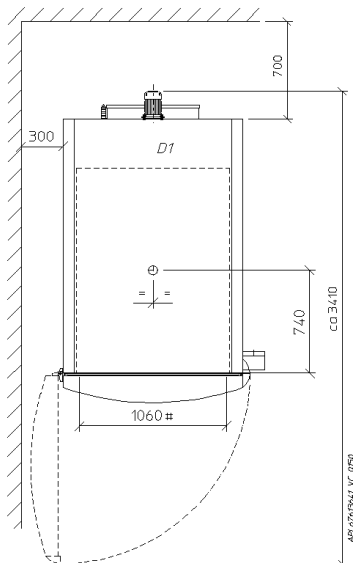
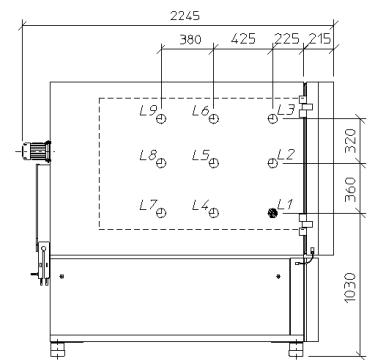
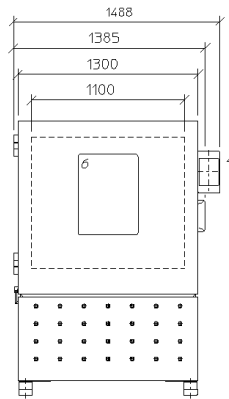
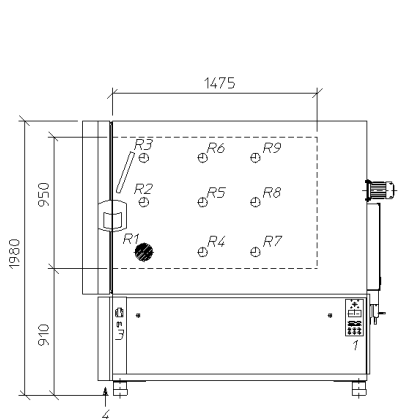
Dimensions

Test space

Cabinet (required space)

1100 mm wide
1475 mm deep
950 mm high

1385 mm wide
2245 mm deep
1980 mm high



- Entry port installed in basic version
R1: NW 125 mm
L1: NW 50 mm
R2... additional installation positions r. h. side(option)
L2.... additional installation positions l. h. side (option)
D1 Installation position in the ceiling (option)

- 1) Main switch panel
- 2) Operating terminal CTC/E4
- 3) Connector panel
- 4) Connection for overflow and condensate drain
- 5) Electrical connection, cable length approx. 3.5 m
- 6) Door with window (option)

Distance between shelf supports